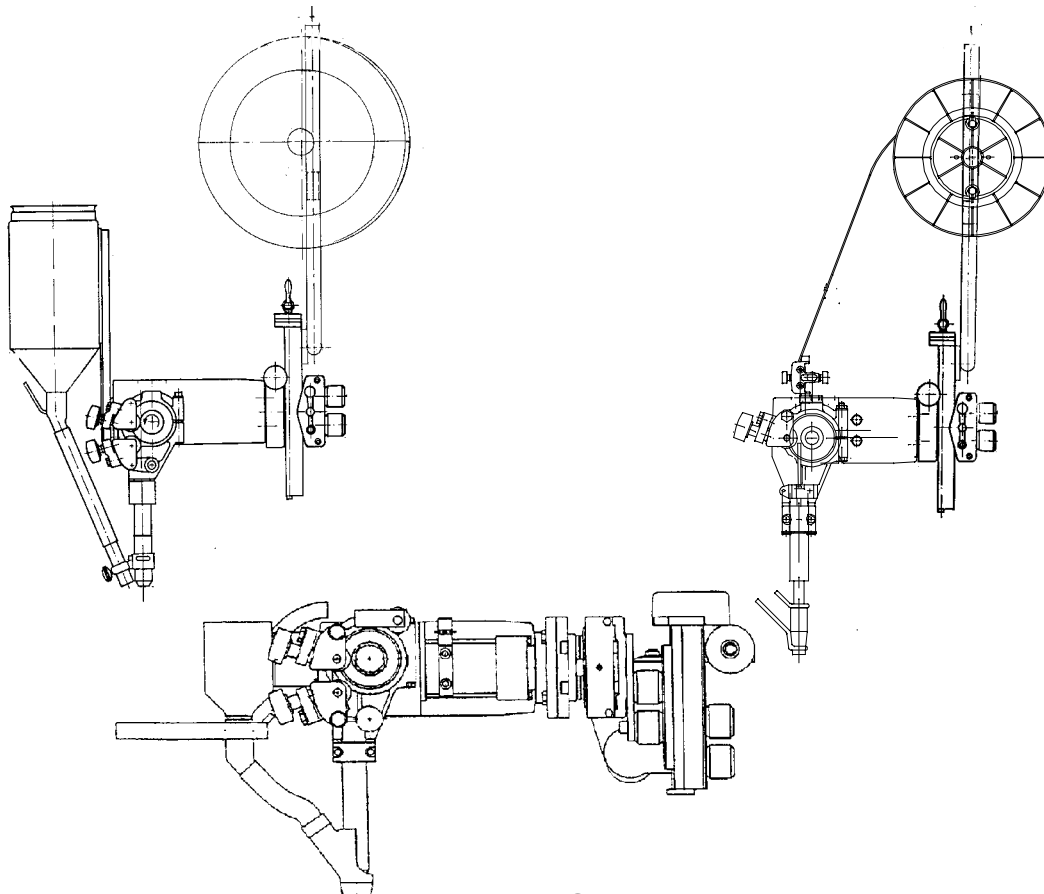


# ***A6 S Arc Master*** ***A6 S G Master*** ***A6 S Compact 500***

## ***A6 SFE1 / A6 SFE2 / A6 SGE1/ A6 SFE1C***

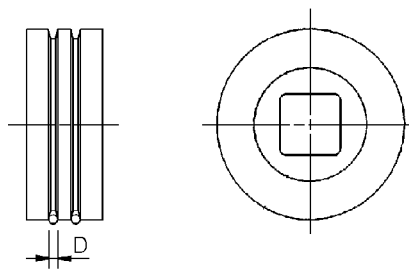
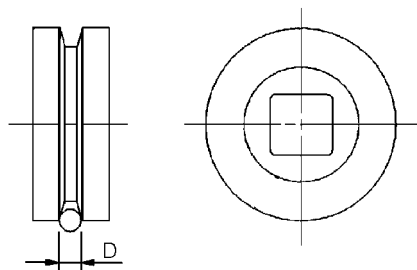


**Bruksanvisning**  
**Brugsanvisning**  
**Bruksanvisning**  
**Käyttöohjeet**  
**Instruction manual**  
**Betriebsanweisung**  
**Manuel d'instructions**

**Gebruiksaanwijzing**  
**Instrucciones de uso**  
**Istruzioni per l'uso**  
**Manual de instruções**  
**Οδηγίες χρήσεως**  
**Instrukcja obsługi**

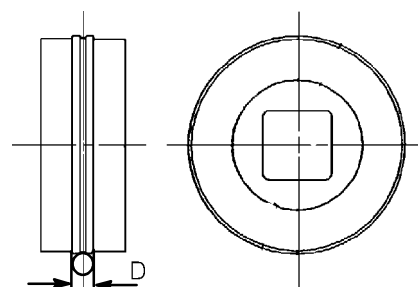
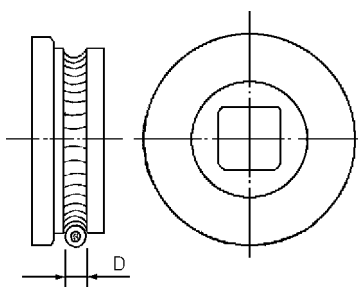
**Slitdelar Sliddele Slitedeler Kulutusosat Wear components Verschleissteile Pièces d'usure Slijtageonderdelen Piezas de desgaste Parti di usura Peças expostas a desgaste Αναλώσιμα ανταλλακτικά Części zużywalne**

**Feed rollers**



SAW and MIG/MAG	
Part no	D (mm)
0218 510 281	1,6
0218 510 282	2,0
0218 510 283	2,5
0218 510 286	4,0
0218 510 287	5,0
0218 510 288	6,0

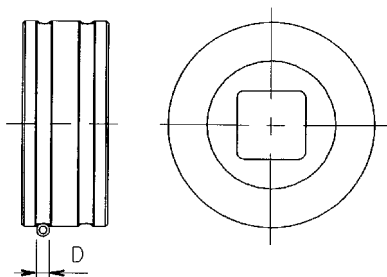
SAW Twin (D35)	
Part no	D (mm)
0218 522 480	2,5
0218 522 481	3-3,2
0218 522 484	2,0
0218 522 486	1,2
0218 522 487	1,0
0218 522 488	1,6



SAW and MIG/MAG tubular wire	
Part no	D (mm)
0146 024 880	0,8-1,6
0146 024 881	2,0-4,0

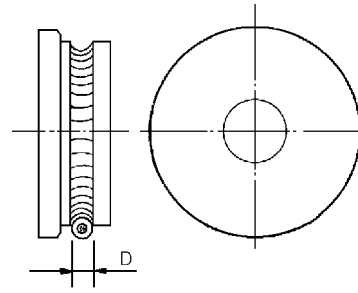
MIG/MAG	
Part no	D (mm)
0145 538 880	0,6
0145 538 881	0,8
0145 538 882	1,0
0145 538 883	1,2

	D (mm)
148 772-880	2,0-3,0

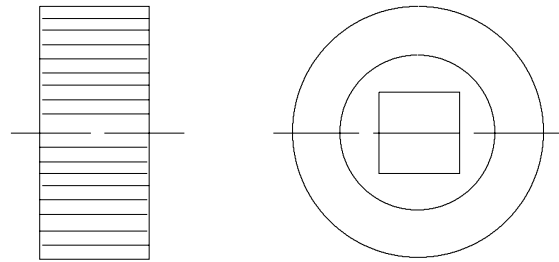


## Pressure rollers

SAW and MIG/MAG tubular wire	
Part no	D (mm)
0146 025 880	0,8-1,6
0146 025 881	2,0-4,0
0146 025 882	5,0-7,0

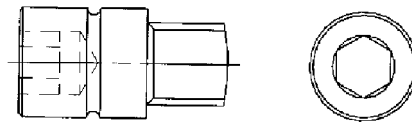


SAW Twin	
Part no	
0218 524 580	
0146 253 001	Stub shaft
0144 953 001	Spherical ball bearing
0190 452 178	Washer



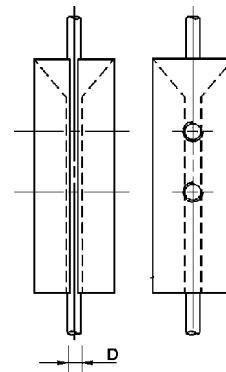
## Stub shaft for pressure roller

SAW tubular wire
Part no
0212 901 101

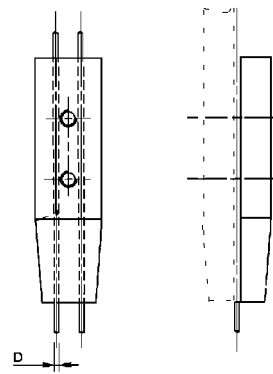


## Contact jaws

SAW HD (D35)	
Part no	D (mm)
0265 900 880	3,0
0265 900 881	3,2
0265 900 882	4,0
0265 900 883	5,0
0265 900 884	6,0

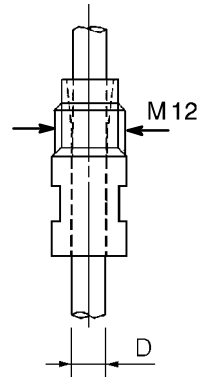


SAW Twin HD	
Part no	D (mm)
0265 902 880	2,5-3,0
0265 902 881	2,0
0265 902 882	1,6
0265 902 883	4,0

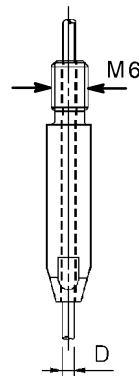


## Contact tip

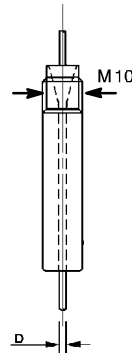
SAW LD (D20)	
Part no	D (mm)
0154 623 003	4,0
0154 623 004	3,2
0154 623 005	3,0
0154 623 006	2,5
0154 623 007	2,0
0154 623 008	1,6



MIG/MAG and SAW Twin LD (D35)	
Part no	D (mm)
0153 501 002	0,8
0153 501 004	1,0
0153 501 005	1,2
0153 501 007	1,6
0153 501 009	2,0
0153 501 010	2,4-2,5

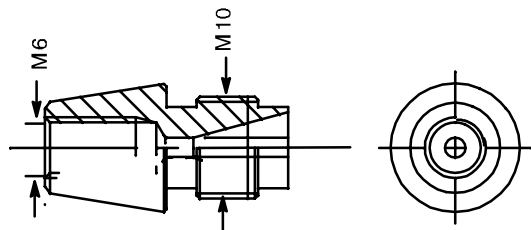


MIG/MAG (D35)	
Part no	D (mm)
0258 000 908	1,2
0258 000 909	1,6
0258 000 910	2,0
0258 000 911	2,4
0258 000 913	1,0
0258 000 914	0,8
0258 000 915	3,2



## Adapter for contact tip

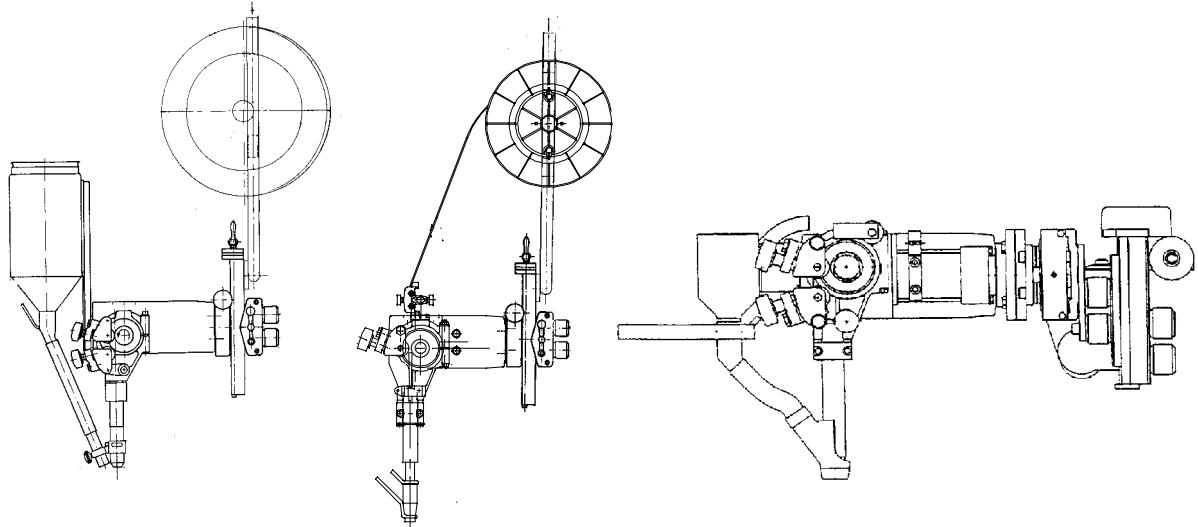
SAW and MIG/MAG (D35)	
Part no	D (mm)
0147 333 001	M6 / M 10



**Reservdelsförteckning Reservdelsfortegnelse Reservedelsliste  
 Varaosaluettelo Spare parts list Ersatzteilliste Liste de pièces détachées  
 Reserveonderdelenlijst Lista de repuestos Elenco ricambi Lista de peças  
 sobressalentes Πίνακας ανταλλακτικών μερών Spis części zapasowych**

**A6 SFE1 / A6 SFE2 / A6 SGE1/ A6 SFE1C**

**Edition 2005-09-15**

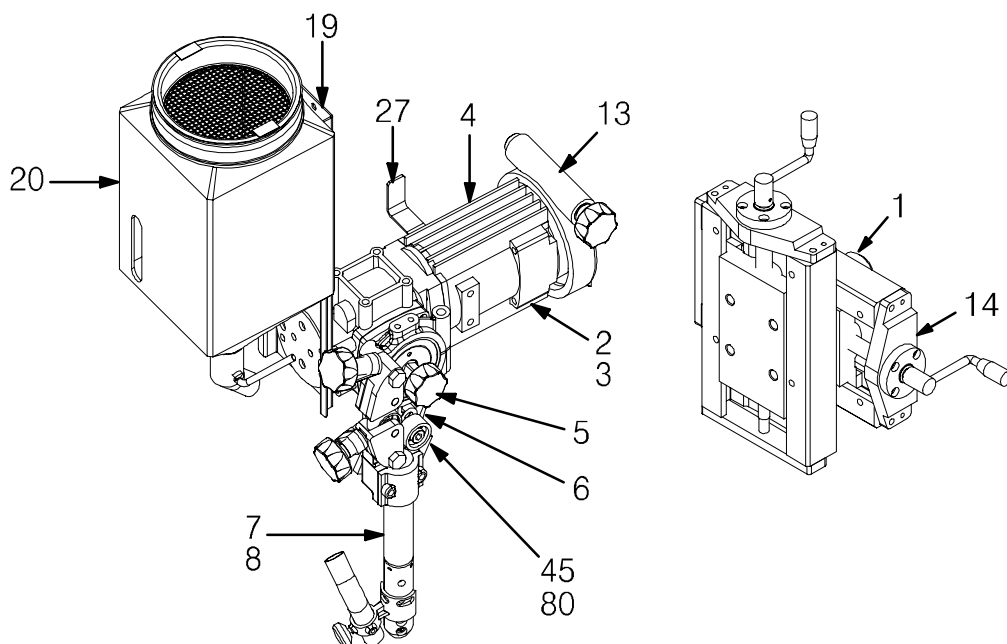


Ordering no.	Denomination	Notes
0456560880 → 0456560892	A6 SFE1	LD, Without control box PEH
0456560900 → 0456560912	A6 SFE1	HD, Without control box PEH
0456565880, 0456565882, 0456565884 → 0456565887	A6 SFE1	LD, With control box PEH
0456565888 → 0456565890	A6 SFE1	LD, With control box PEH and A6 PAK
0456565891 → 0456565893	A6 SFE1	LD, With control box PEH and A6 GMD
0456565900, 0456565902, 0456565904 → 0456565907	A6 SFE1	HD, With control box PEH
0456565908 → 0456565910	A6 SFE1	HD, With control box PEH and A6 PAK
0456565911 → 0456565913	A6 SFE1	HD, With control box PEH and A6 GMD
0457720883, 0457720884	A6 SFE2	Without control box PEH
0457720885, 0457720887	A6 SFE2	With control box PEH
0457720880, 0457720889	A6 SFE2	With control box PEH and A6 PAK
0457720891, 0457720893	A6 SFE2	With control box PEH and A6 GMD
0456563880 → 0456563888	A6 SGE1	Without control box PEH
0456564880 → 0456564883	A6 SGE1	With control box PEH
0456564884, 0456564885	A6 SGE1	With control box PEH and A6 PAK
0456564886, 0456564887	A6 SGE1	With control box PEH and A6 GMD
0416967880	A6 SFE1C	

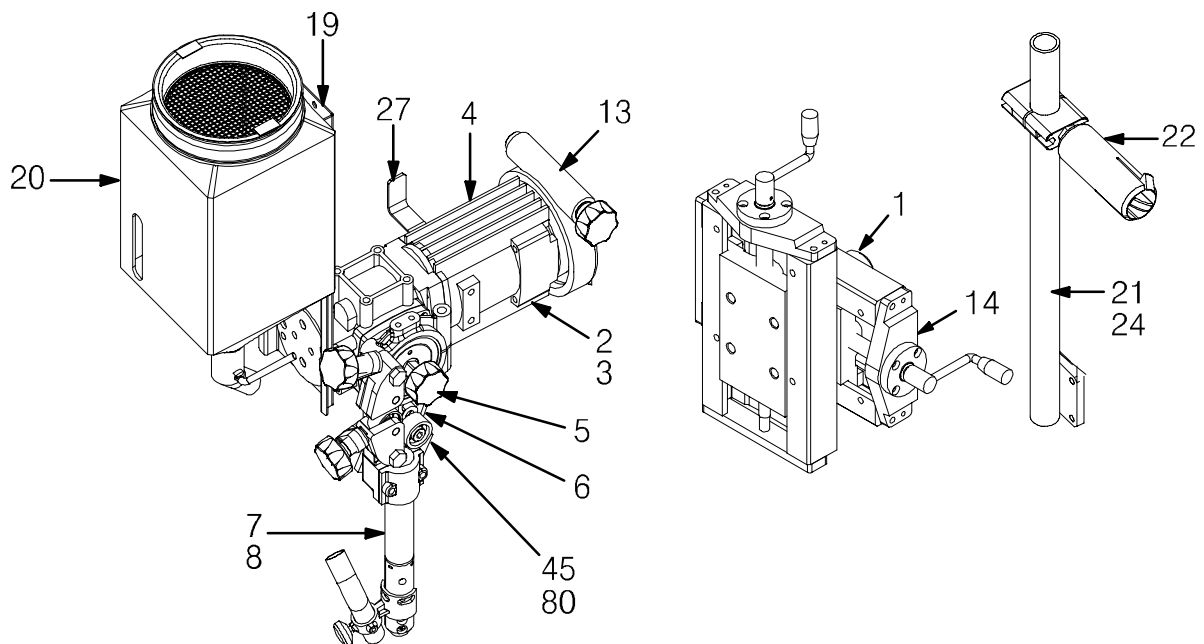




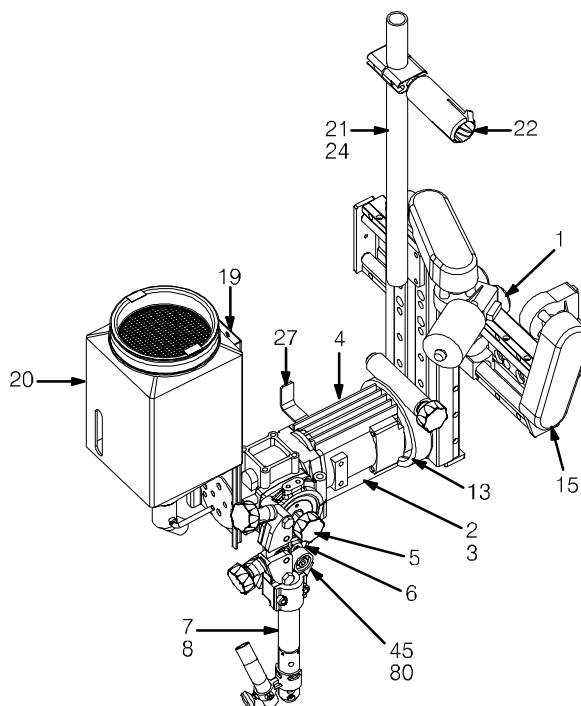
Item no.	Qty	Ordering no.	Denomination	Notes
		<b>0456560884</b>	<b>Automatic welding machine without PEH</b>	<b>A6 SFE1, LD</b>
1	4	0278300180	Insulator	2000 V
2	1	0145063907	Motor with gear	A6 VEC (74:1), see separate manual
4	1	0456490882	Cable	3,0 m
5	1	0218810183	Handwheel	
6	1	0147639880	Straightener (Right mounted)	D35
7	1	0334289880	Contact equipment	D20
13	1	0671171580	Angular slide	
14	2	0154465881	Slide, manually operated	L=210
27	1	0148493001	Cable holder	
45	1	0456504883	Cable (arc voltage)	3,0 m
80	1	0457713001	Bar	
		<b>0456560885</b>	<b>Automatic welding machine without PEH</b>	<b>A6 SFE1, LD</b>
1	4	0278300180	Insulator	2000 V
2	1	0145063907	Motor with gear	A6 VEC (74:1), see separate manual
4	1	0456490882	Cable	3,0 m
5	1	0218810183	Handwheel	
6	1	0147639880	Straightener (Right mounted)	D35
7	1	0334289880	Contact equipment	D20
13	1	0671171580	Angular slide	
14	2	0154465881	Slide, manually operated	L=210
19	1	0148487881	Holder	
20	1	0147649881	Flux hopper	10 l
27	1	0148493001	Cable holder	
45	1	0456504883	Cable (arc voltage)	3,0 m
80	1	0457713001	Bar	



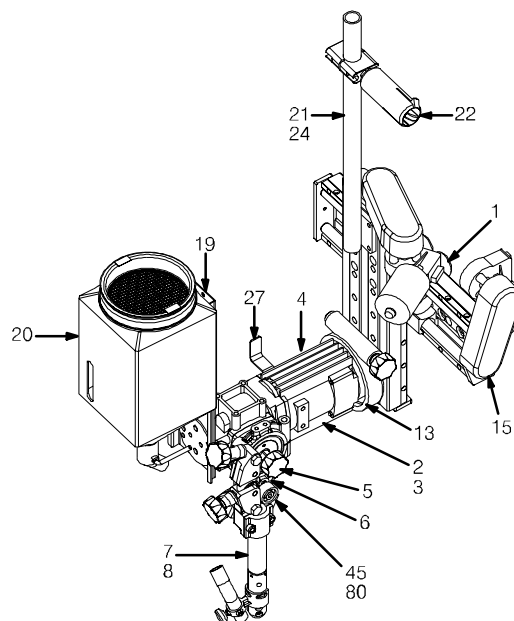
Item no.	Qty	Ordering no.	Denomination	Notes
		<b>0456560886</b>	<b>Automatic welding machine without PEH</b>	<b>A6 SFE1, LD</b>
1	4	0278300180	Insulator	2000 V
2	1	0145063907	Motor with gear	A6 VEC (74:1), see separate manual
4	1	0456490882	Cable	3,0 m
5	1	0218810183	Handwheel	
6	1	0147639880	Straightener (Right mounted)	D35
7	1	0334289880	Contact equipment	D20
13	1	0671171580	Angular slide	
14	2	0154465881	Slide, manually operated	L=210
19	1	0148487881	Holder	
20	1	0147649881	Flux hopper	10 l
21	1	0443510880	Reel holder (bent)	
22	1	0146967880	Brake hub	
27	1	0148493001	Cable holder	
45	1	0456504883	Cable (arc voltage)	3,0 m
80	1	0457713001	Bar	



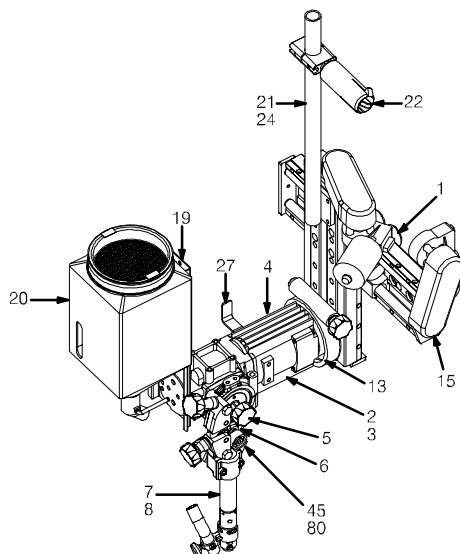
Item no.	Qty	Ordering no.	Denomination	Notes
		<b>0456560887</b>	<b>Automatic welding machine without PEH</b>	<b>A6 SFE1, LD</b>
1	4	0278300180	Insulator	2000 V
2	1	0145063907	Motor with gear	A6 VEC (74:1), see separate manual
4	1	0456490882	Cable	3,0 m
5	1	0218810183	Handwheel	
6	1	0147639880	Straightener (Right mounted)	D35
7	1	0334289880	Contact equipment	D20
13	1	0671171580	Angular slide	
15	2	0334333884	Slide, with linear ball bearings	A6 Slide (L=300), see separate manual
27	1	0148493001	Cable holder	
45	1	0456504883	Cable (arc voltage)	3,0 m
80	1	0457713001	Bar	
		<b>0456560888</b>	<b>Automatic welding machine without PEH</b>	<b>A6 SFE1, LD</b>
1	4	0278300180	Insulator	2000 V
2	1	0145063907	Motor with gear	A6 VEC (74:1), see separate manual
4	1	0456490882	Cable	3,0 m
5	1	0218810183	Handwheel	
6	1	0147639880	Straightener (Right mounted)	D35
7	1	0334289880	Contact equipment	D20
13	1	0671171580	Angular slide	
15	2	0334333884	Slide, with linear ball bearings	A6 Slide (L=300), see separate manual
19	1	0148487881	Holder	
20	1	0147649881	Flux hopper	10 l
27	1	0148493001	Cable holder	
45	1	0456504883	Cable (arc voltage)	3,0 m
80	1	0457713001	Bar	



Item no.	Qty	Ordering no.	Denomination	Notes
		<b>0456560889</b>	<b>Automatic welding machine without PEH</b>	<b>A6 SFE1, LD</b>
1	4	0278300180	Insulator	2000 V
2	1	0145063907	Motor with gear	A6 VEC (74:1), see separate manual
4	1	0456490882	Cable	3,0 m
5	1	0218810183	Handwheel	
6	1	0147639880	Straightener (Right mounted)	D35
7	1	0334289880	Contact equipment	D20
13	1	0671171580	Angular slide	
15	2	0334333884	Slide, with linear ball bearings	A6 Slide (L=300), see separate manual
19	1	0148487881	Holder	
20	1	0147649881	Flux hopper	10 l
22	1	0146967880	Brake hub	
24	1	0334318880	Reel holder, straight	
27	1	0148493001	Cable holder	
45	1	0456504883	Cable (arc voltage)	3,0 m
80	1	0457713001	Bar	
		<b>0456560890</b>	<b>Automatic welding machine without PEH</b>	<b>A6 SFE1, LD</b>
1	4	0278300180	Insulator	2000 V
3	1	0145063907	Motor with gear	A6 VEC (74:1), see separate manual
4	1	0456490882	Cable	3,0 m
5	1	0218810183	Handwheel	
6	1	0147639880	Straightener (Right mounted)	D35
7	1	0334289880	Contact equipment	D20
13	1	0671171580	Angular slide	
15	2	0334333884	Slide, with linear ball bearings	A6 Slide (L=300), see separate manual
27	1	0148493001	Cable holder	
45	1	0456504883	Cable (arc voltage)	3,0 m
80	1	0457713001	Bar	

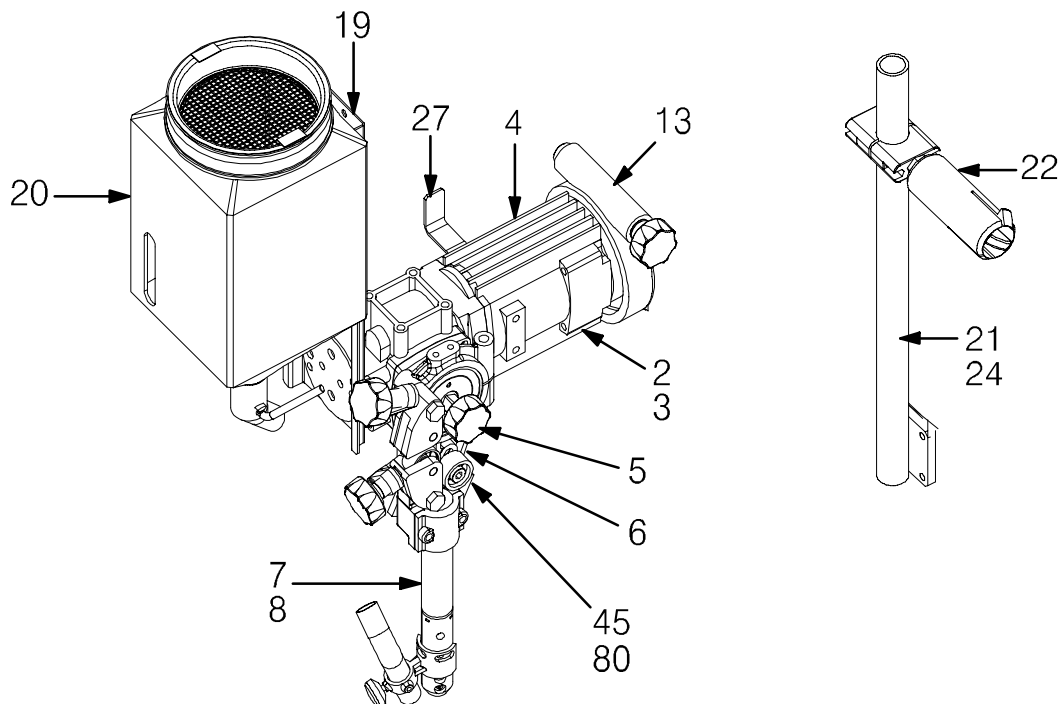


Item no.	Qty	Ordering no.	Denomination	Notes
		<b>0456560891</b>	<b>Automatic welding machine without PEH</b>	<b>A6 SFE1, LD</b>
1	4	0278300180	Insulator	2000 V
3	1	0145063907	Motor with gear	A6 VEC (74:1), see separate manual
4	1	0456490882	Cable	3,0 m
5	1	0218810183	Handwheel	
6	1	0147639880	Straightener (Right mounted)	D35
7	1	0334289880	Contact equipment	D20
13	1	0671171580	Angular slide	
15	2	0334333884	Slide, with linear ball bearings	A6 Slide (L=300), see separate manual
19	1	0148487881	Holder	
20	1	0147649881	Flux hopper	10 l
27	1	0148493001	Cable holder	
45	1	0456504883	Cable (arc voltage)	3,0 m
80	1	0457713001	Bar	
		<b>0456560892</b>	<b>Automatic welding machine without PEH</b>	<b>A6 SFE1, LD</b>
1	4	0278300180	Insulator	2000 V
3	1	0145063907	Motor with gear	A6 VEC (74:1), see separate manual
4	1	0456490882	Cable	3,0 m
5	1	0218810183	Handwheel	
6	1	0147639880	Straightener (Right mounted)	D35
7	1	0334289880	Contact equipment	D20
13	1	0671171580	Angular slide	
15	2	0334333884	Slide, with linear ball bearings	A6 Slide (L=300), see separate manual
19	1	0148487881	Holder	
20	1	0147649881	Flux hopper	10 l
22	1	0146967880	Brake hub	
24	1	0334318880	Reel holder, straight	
27	1	0148493001	Cable holder	
45	1	0456 504 883	Cable (arc voltage)	3,0 m
80	1	0457 713 001	Bar	

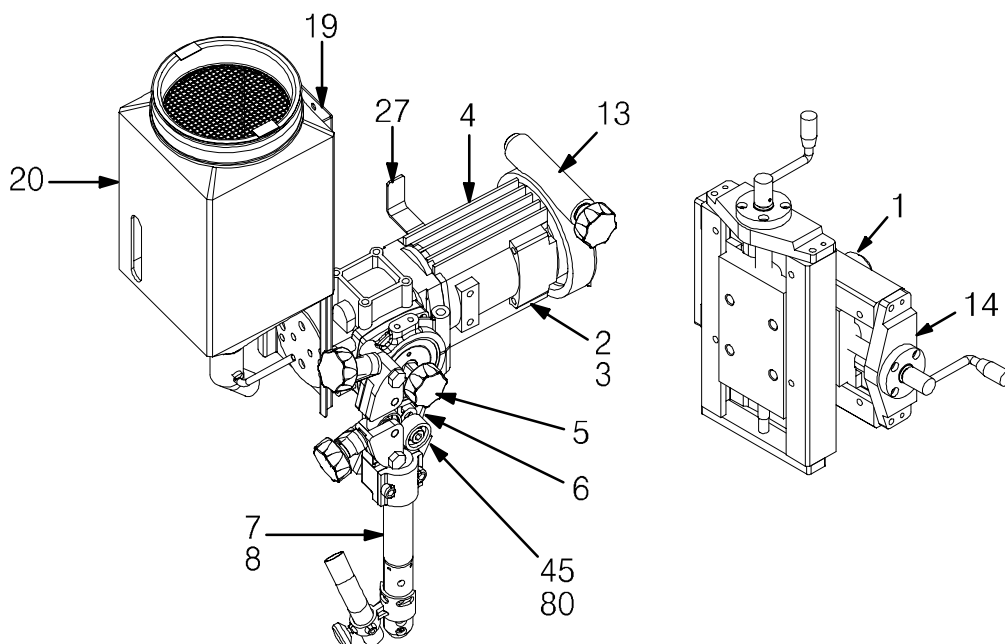




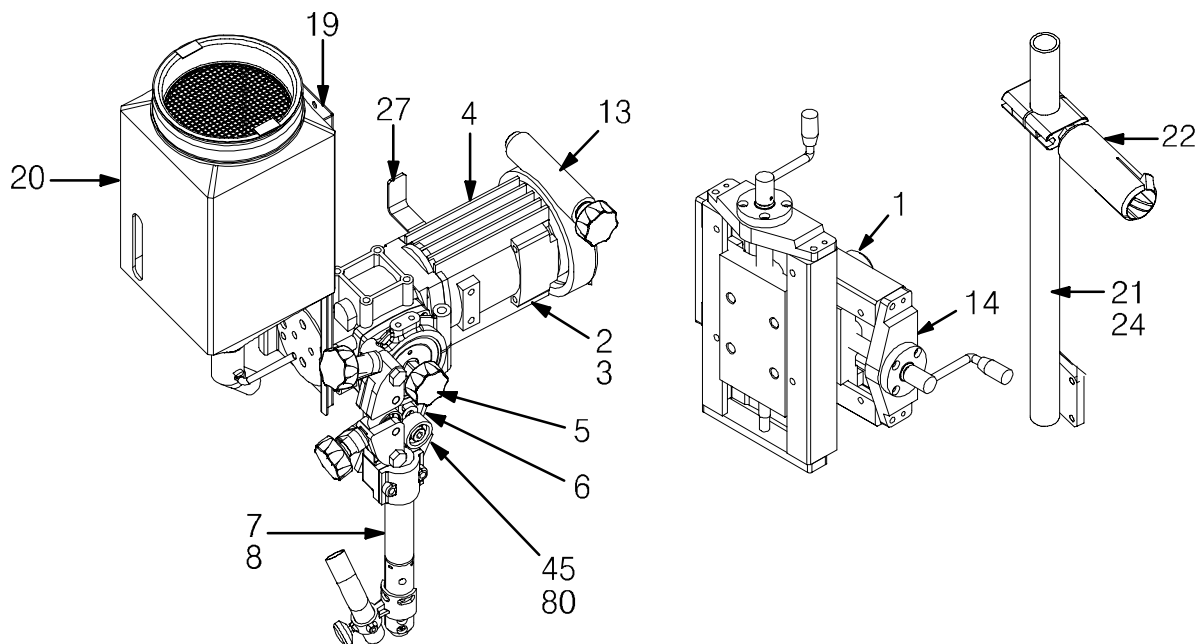
Item no.	Qty	Ordering no.	Denomination	Notes
		<b>0456560902</b>	<b>Automatic welding machine without PEH</b>	<b>A6 SFE1, HD</b>
3	1	0145063906	Motor with gear	A6 VEC (156:1), see separate manual
4	1	0456490882	Cable	3,0 m
5	1	0218810183	Handwheel	
6	1	0147639880	Straightener (Right mounted)	D35
8	1	0334290882	Contact equipment	D35
19	1	0148487881	Holder	
20	1	0147649881	Flux hopper	10 l
21	1	0147328880	Reel holder	
22	1	0146967880	Brake hub	
27	1	0148493001	Cable holder	
45	1	0456504883	Cable (arc voltage)	3,0 m
80	1	0457713001	Bar	
		<b>0456560903</b>	<b>Automatic welding machine without PEH</b>	<b>A6 SFE1, HD</b>
3	1	0145063906	Motor with gear	A6 VEC (156:1), see separate manual
4	1	0456490882	Cable	3,0 m
5	1	0218810183	Handwheel	
6	1	0147639880	Straightener (Right mounted)	D35
8	1	0334290882	Contact equipment	D35
19	1	0148487881	Holder	
20	1	0147649881	Flux hopper	10 l
22	1	0146967880	Brake hub	
24	1	0147328880	Reel holder	
27	1	0148493001	Cable holder	
45	1	0456504883	Cable (arc voltage)	3,0 m
80	1	0457713001	Bar	



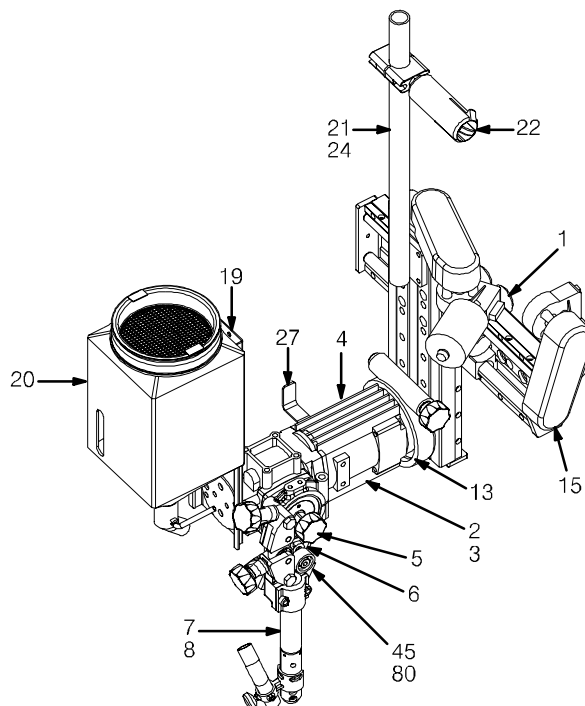
Item no.	Qty	Ordering no.	Denomination	Notes
		<b>0456560904</b>	<b>Automatic welding machine without PEH</b>	<b>A6 SFE1, HD</b>
1	4	0278300180	Insulator	2000 V
3	1	0145063906	Motor with gear	A6 VEC (156:1), see separate manual
4	1	0456490882	Cable	3,0 m
5	1	0218810183	Handwheel	
6	1	0147639880	Straightener (Right mounted)	D35
8	1	0334290882	Contact equipment	D35
13	1	0671171580	Angular slide	
14	2	0154465881	Slide, manually operated	L=210
27	1	0148493001	Cable holder	
45	1	0456504883	Cable (arc voltage)	3,0 m
80	1	0457713001	Bar	
		<b>0456560905</b>	<b>Automatic welding machine without PEH</b>	<b>A6 SFE1, HD</b>
1	4	0278300180	Insulator	2000 V
3	1	0145063906	Motor with gear	A6 VEC (156:1), see separate manual
4	1	0456490882	Cable	3,0 m
5	1	0218810183	Handwheel	
6	1	0147639880	Straightener (Right mounted)	D35
8	1	0334290882	Contact equipment	D35
13	1	0671171580	Angular slide	
14	2	0154465881	Slide, manually operated	L=210
19	1	0148487881	Holder	
20	1	0147649881	Flux hopper	10 l
27	1	0148493001	Cable holder	
45	1	0456504883	Cable (arc voltage)	3,0 m
80	1	0457713001	Bar	



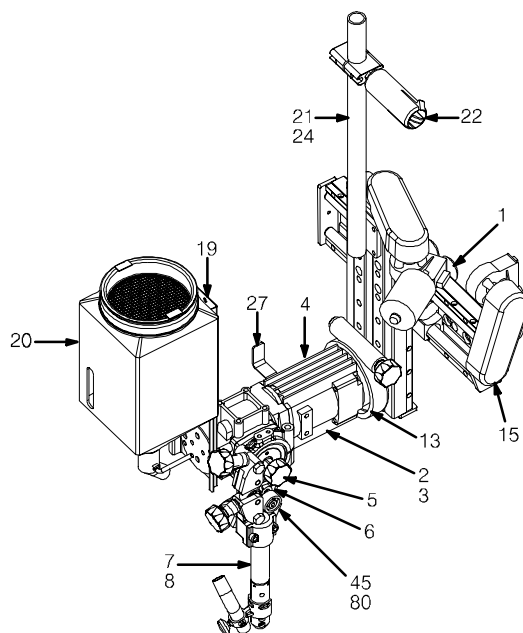
Item no.	Qty	Ordering no.	Denomination	Notes
		<b>0456560906</b>	<b>Automatic welding machine without PEH</b>	<b>A6 SFE1, HD</b>
1	4	0278300180	Insulator	2000 V
3	1	0145063906	Motor with gear	A6 VEC (156:1), see separate manual
4	1	0456490882	Cable	3,0 m
5	1	0218810183	Handwheel	
6	1	0147639880	Straightener (Right mounted)	D35
8	1	0334290882	Contact equipment	D35
13	1	0671171580	Angular slide	
14	2	0154465881	Slide, manually operated	L=210
19	1	0148487881	Holder	
20	1	0147649881	Flux hopper	10 l
21	1	0443510880	Reel holder (bent)	
22	1	0146967880	Brake hub	
27	1	0148493001	Cable holder	
45	1	0456504883	Cable (arc voltage)	3,0 m
80	1	0457713001	Bar	



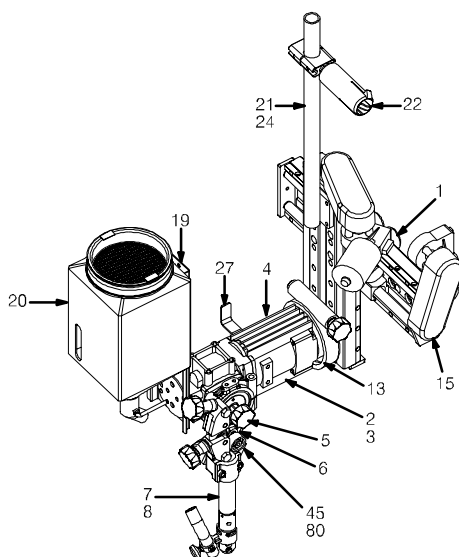
Item no.	Qty	Ordering no.	Denomination	Notes
		<b>0456560907</b>	<b>Automatic welding machine without PEH</b>	<b>A6 SFE1, HD</b>
1	4	0278300180	Insulator	2000 V
3	1	0145063906	Motor with gear	A6 VEC (156:1), see separate manual
4	1	0456490882	Cable	3,0 m
5	1	0218810183	Handwheel	
6	1	0147639880	Straightener (Right mounted)	D35
8	1	0334290882	Contact equipment	D35
13	1	0671171580	Angular slide	
15	2	0334333884	Slide, with linear ball bearings	A6 Slide (L=300), see separate manual
27	1	0148493001	Cable holder	
45	1	0456504883	Cable (arc voltage)	3,0 m
80	1	0457713001	Bar	
		<b>0456560908</b>	<b>Automatic welding machine without PEH</b>	<b>A6 SFE1, HD</b>
1	4	0278300180	Insulator	2000 V
3	1	0145063906	Motor with gear	A6 VEC (156:1), see separate manual
4	1	0456490882	Cable	3,0 m
5	1	0218810183	Handwheel	
6	1	0147639880	Straightener (Right mounted)	D35
8	1	0334290882	Contact equipment	D35
13	1	0671171580	Angular slide	
15	2	0334333884	Slide, with linear ball bearings	A6 Slide (L=300), see separate manual
19	1	0148487881	Holder	
20	1	0147649881	Flux hopper	10 l
27	1	0148493001	Cable holder	
45	1	0456504883	Cable (arc voltage)	3,0 m
80	1	0457713001	Bar	



Item no.	Qty	Ordering no.	Denomination	Notes
		<b>0456560909</b>	<b>Automatic welding machine without PEH</b>	<b>A6 SFE1, HD</b>
1	4	0278300180	Insulator	2000 V
3	1	0145063906	Motor with gear	A6 VEC (156:1), see separate manual
4	1	0456490882	Cable	3,0 m
5	1	0218810183	Handwheel	
6	1	0147639880	Straightener (Right mounted)	D35
8	1	0334290882	Contact equipment	D35
13	1	0671171580	Angular slide	
15	2	0334333884	Slide, with linear ball bearings	A6 Slide (L=300), see separate manual
19	1	0148487881	Holder	
20	1	0147649881	Flux hopper	10 l
22	1	0146967880	Brake hub	
24	1	0334318880	Reel holder, straight	
27	1	0148493001	Cable holder	
45	1	0456504883	Cable (arc voltage)	3,0 m
80	1	0457713001	Bar	
		<b>0456560910</b>	<b>Automatic welding machine without PEH</b>	<b>A6 SFE1, HD</b>
1	4	0278300180	Insulator	2000 V
3	1	0145063906	Motor with gear	A6 VEC (156:1), see separate manual
4	1	0456490882	Cable	3,0 m
5	1	0218810183	Handwheel	
6	1	0147639880	Straightener (Right mounted)	D35
8	1	0334290882	Contact equipment	D35
13	1	0671171580	Angular slide	
15	2	0334333884	Slide, with linear ball bearings	A6 Slide (L=300), see separate manual
27	1	0148493001	Cable holder	
45	1	0456504883	Cable (arc voltage)	3,0 m
80	1	0457713001	Bar	

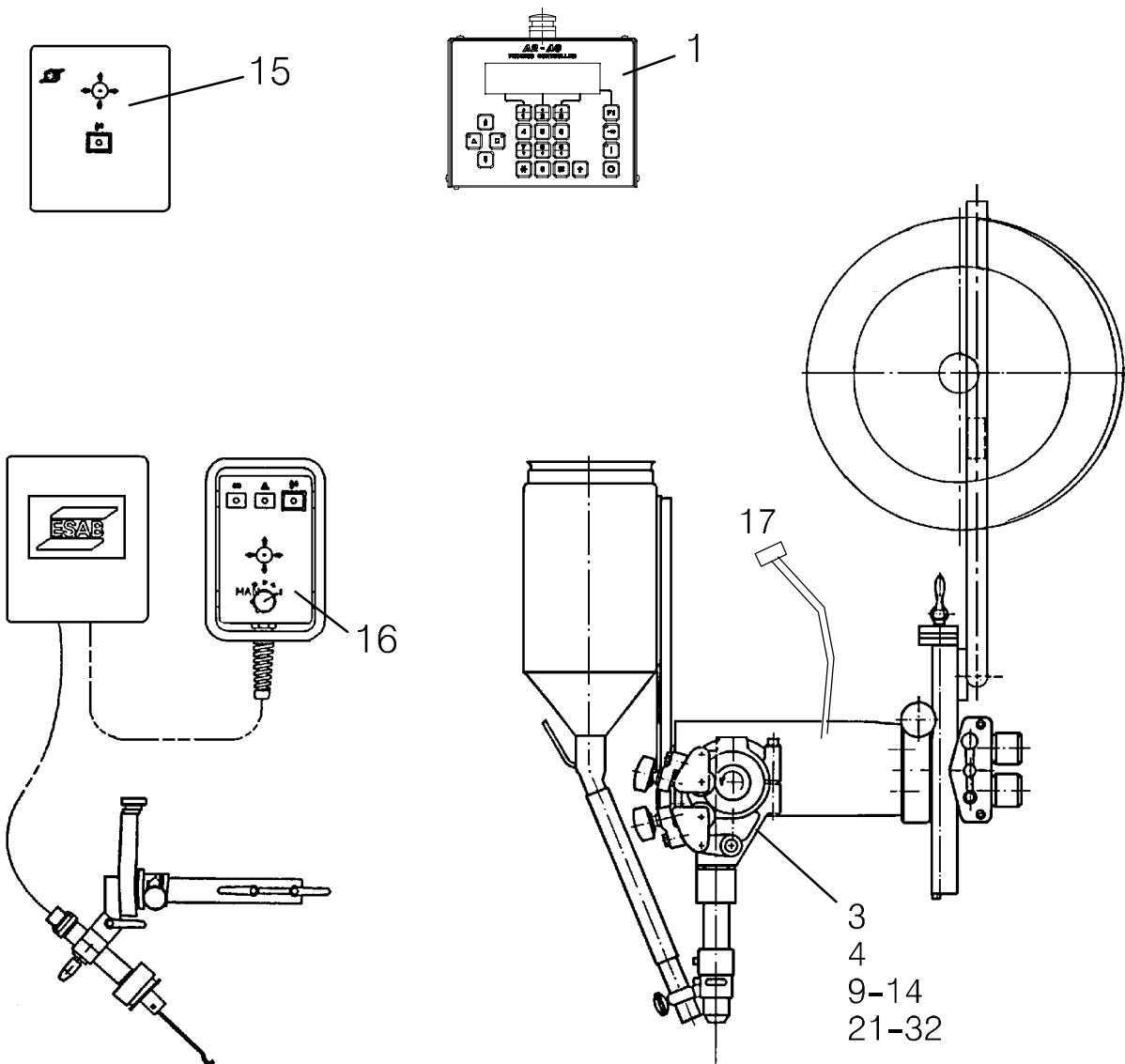


Item no.	Qty	Ordering no.	Denomination	Notes
		<b>0456560911</b>	<b>Automatic welding machine without PEH</b>	<b>A6 SFE1, HD</b>
1	4	0278300180	Insulator	2000 V
3	1	0145063906	Motor with gear	A6 VEC (156:1), see separate manual
4	1	0456490882	Cable	3,0 m
5	1	0218810183	Handwheel	
6	1	0147639880	Straightener (Right mounted)	D35
8	1	0334290882	Contact equipment	D35
13	1	0671171580	Angular slide	
15	2	0334333884	Slide, with linear ball bearings	A6 Slide (L=300), see separate manual
19	1	0148487881	Holder	
20	1	0147649881	Flux hopper	10 l
27	1	0148493001	Cable holder	
45	1	0456504883	Cable (arc voltage)	3,0 m
80	1	0457713001	Bar	
		<b>0456560912</b>	<b>Automatic welding machine without PEH</b>	<b>A6 SFE1, HD</b>
1	4	0278300180	Insulator	2000 V
3	1	0145063906	Motor with gear	A6 VEC (156:1), see separate manual
4	1	0456490882	Cable	3,0 m
5	1	0218810183	Handwheel	
6	1	0147639880	Straightener (Right mounted)	D35
8	1	0334290882	Contact equipment	D35
13	1	0671171580	Angular slide	
15	2	0334333884	Slide, with linear ball bearings	A6 Slide (L=300), see separate manual
19	1	0148487881	Holder	
20	1	0147649881	Flux hopper	10 l
22	1	0146967880	Brake hub	
24	1	0334318880	Reel holder, straight	
27	1	0148493001	Cable holder	
45	1	0456504883	Cable (arc voltage)	3,0 m
80	1	0457713001	Bar	



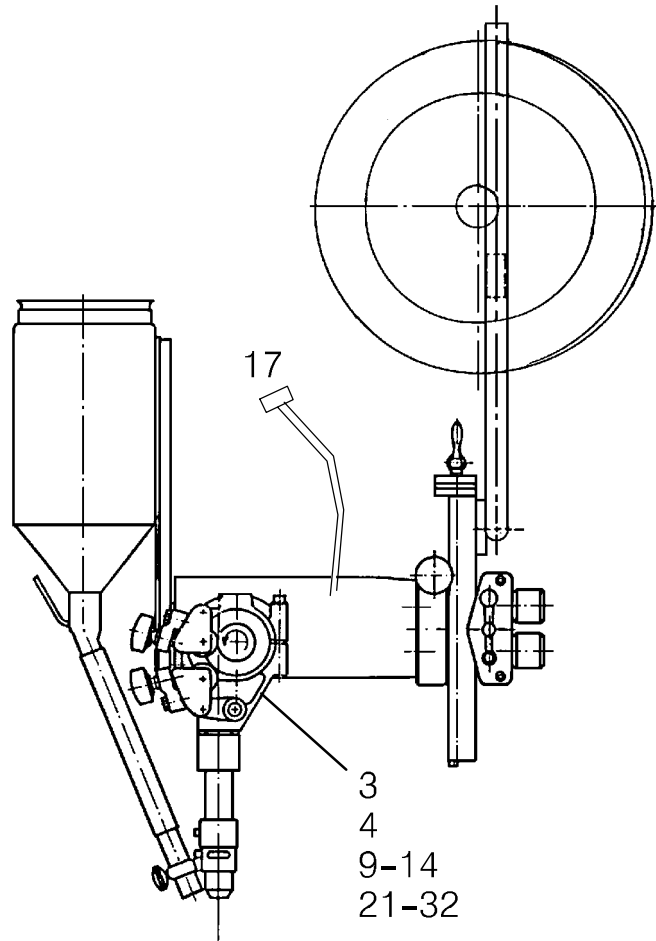
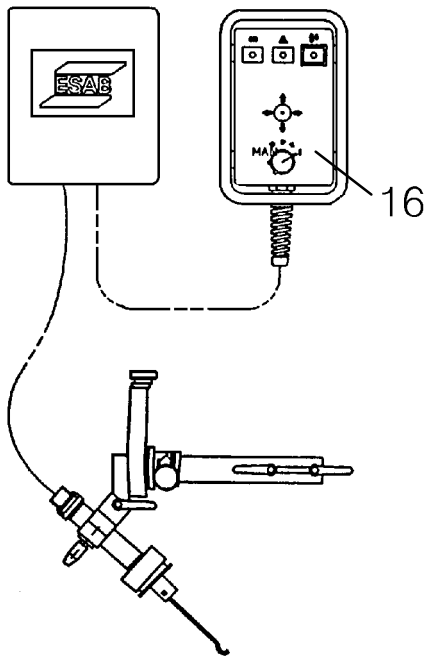
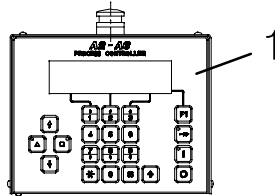
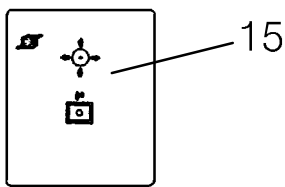
Item no.	Qty	Ordering no.	Denomination	Notes
1	1	<b>0456565880</b> 0443741880	<b>Automatic welding machine with PEH</b> Control box	<b>A6 SFE1, LD</b> PEH, see separate manual
3	1	0456560881	Automatic welding machine without PEH	
1	1	<b>0456565882</b> 0443741880	<b>Automatic welding machine with PEH</b> Control box	<b>A6 SFE1, LD</b> PEH, see separate manual
4	1	0456560882	Automatic welding machine without PEH	
1	1	<b>0456565884</b> 0443741880	<b>Automatic welding machine with PEH</b> Control box	<b>A6 SFE1, LD</b> PEH, see separate manual
4	1	0456560883	Automatic welding machine without PEH	
1	1	<b>0456565885</b> 0443741880	<b>Automatic welding machine with PEH</b> Control box	<b>A6 SFE1, LD</b> PEH, see separate manual
4	1	0456560884	Automatic welding machine without PEH	
1	1	<b>0456565886</b> 0443741880	<b>Automatic welding machine with PEH</b> Control box	<b>A6 SFE1, LD</b> PEH, see separate manual
4	1	0456560885	Automatic welding machine without PEH	
1	1	<b>0456565887</b> 0443741880	<b>Automatic welding machine with PEH</b> Control box	<b>A6 SFE1, LD</b> PEH, see separate manual
4	1	0456560886	Automatic welding machine without PEH	
1	1	<b>0456565888</b> 0443741880	<b>Automatic welding machine with PEH and A6 PAK</b> Control box	<b>A6 SFE1, LD</b> PEH, see separate manual
9	1	0456560887	Automatic welding machine without PEH	
15	1	0417587880	Control system for motorised slides	A6 PAK, see separate manual
17	2	0417310887	Motor cable	2 m
1	1	<b>0456565889</b> 0443741880	<b>Automatic welding machine with PEH and A6 PAK</b> Control box	<b>A6 SFE1, LD</b> PEH, see separate manual
10	1	0456560888	Automatic welding machine without PEH	
15	1	0417587880	Control system for motorised slides	A6 PAK, see separate manual
17	2	0417310887	Motor cable	2 m
1	1	<b>0456565890</b> 0443741880	<b>Automatic welding machine with PEH and A6 PAK</b> Control box	<b>A6 SFE1, LD</b> PEH, see separate manual
11	1	0456560889	Automatic welding machine without PEH	
15	1	0417587880	Control system for motorised slides	A6 PAK, see separate manual
17	2	0417310887	Motor cable	2 m
1	1	<b>0456565891</b> 0443741880	<b>Automatic welding machine with PEH and A6 GMD</b> Control box	<b>A6 SFE1, LD</b> PEH, see separate manual
12	1	0456560890	Automatic welding machine without PEH	
16	1	0417142880	Joint-tracking unit	A6 GMD, see separate manual
17	2	0417310887	Motor cable	2 m

Item no.	Qty	Ordering no.	Denomination	Notes
1	1	0456565892	<b>Automatic welding machine with PEH and A6 GMD</b>	<b>A6 SFE1, LD</b>
13	1	0443741880	Control box	PEH, see separate manual
16	1	0456560891	Automatic welding machine without PEH	
17	1	0417142880	Joint-tracking unit	A6 GMD, see separate manual
17	2	0417310887	Motor cable	2 m
1	1	0456565893	<b>Automatic welding machine with PEH and A6 GMD</b>	<b>A6 SFE1, LD</b>
14	1	0443741880	Control box	PEH, see separate manual
14	1	0456560892	Automatic welding machine without PEH	
16	1	0417142880	Joint-tracking unit	A6 GMD, see separate manual
17	2	0417310887	Motor cable	2 m

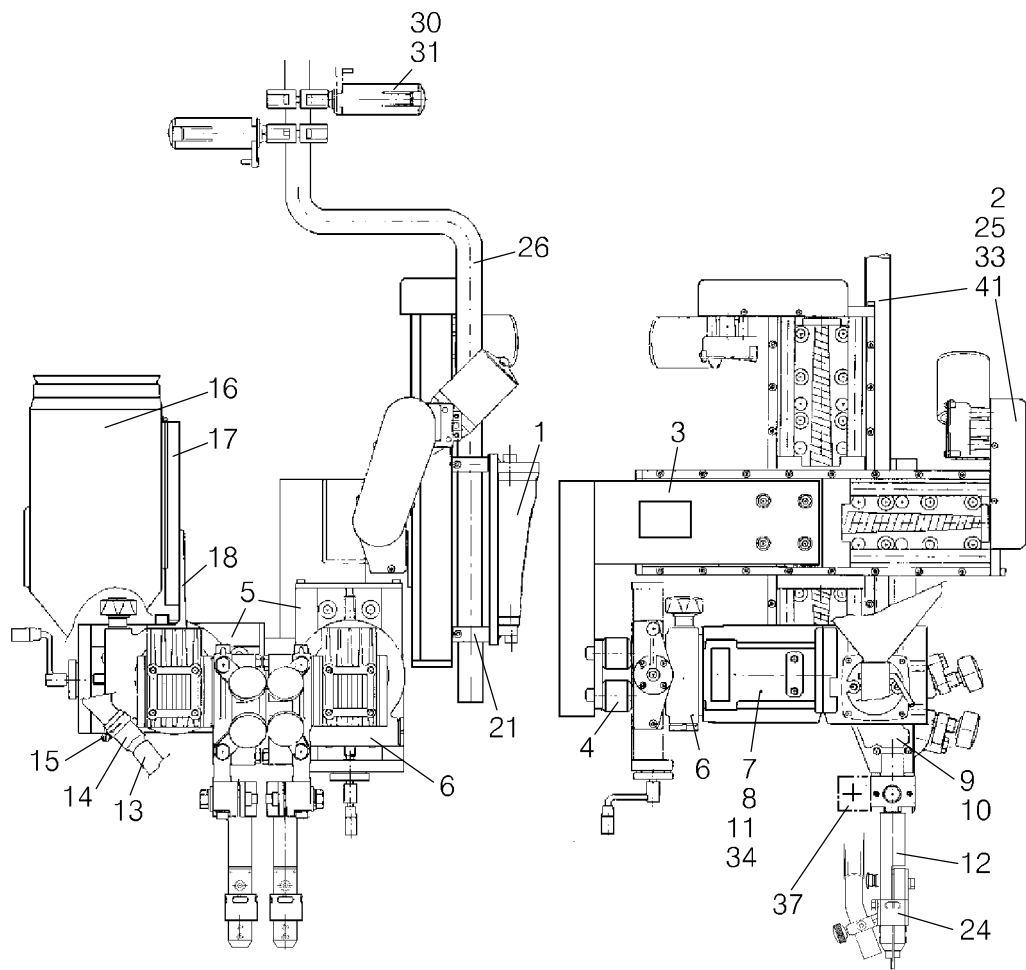


Item no.	Qty	Ordering no.	Denomination	Notes
1	1	<b>0456565900</b> 0443741880	<b>Automatic welding machine with PEH</b> Control box	<b>A6 SFE1, HD</b> PEH, see separate manual
21	1	0456560901	Automatic welding machine without PEH	
1	1	<b>0456565902</b> 0443741880	<b>Automatic welding machine with PEH</b> Control box	<b>A6 SFE1, HD</b> PEH, see separate manual
22	1	0456560902	Automatic welding machine without PEH	
1	1	<b>0456565904</b> 0443741880	<b>Automatic welding machine with PEH</b> Control box	<b>A6 SFE1, HD</b> PEH, see separate manual
23	1	0456560903	Automatic welding machine without PEH	
1	1	<b>0456565905</b> 0443741880	<b>Automatic welding machine with PEH</b> Control box	<b>A6 SFE1, HD</b> PEH, see separate manual
24	1	0456560904	Automatic welding machine without PEH	
1	1	<b>0456565906</b> 0443741880	<b>Automatic welding machine with PEH</b> Control box	<b>A6 SFE1, HD</b> PEH, see separate manual
25	1	0456560905	Automatic welding machine without PEH	
1	1	<b>0456565907</b> 0443741880	<b>Automatic welding machine with PEH</b> Control box	<b>A6 SFE1, HD</b> PEH, see separate manual
26	1	0456560906	Automatic welding machine without PEH	
1	1	<b>0456565908</b> 0443741880	<b>Automatic welding machine with PEH and A6 PAK</b> Control box	<b>A6 SFE1, HD</b> PEH, see separate manual A6 PAK, see separate manual 2 m
15	1	0417587880	Control system for motorised slides	
17	2	0417310887	Motor cable	
27	1	0456560907	Automatic welding machine without PEH	
1	1	<b>0456565909</b> 0443741880	<b>Automatic welding machine with PEH and A6 PAK</b> Control box	<b>A6 SFE1, HD</b> PEH, see separate manual A6 PAK, see separate manual 2 m
15	1	0417587880	Control system for motorised slides	
17	2	0417310887	Motor cable	
28	1	0456560908	Automatic welding machine without PEH	
1	1	<b>0456565910</b> 0443741880	<b>Automatic welding machine with PEH and A6 PAK</b> Control box	<b>A6 SFE1, HD</b> PEH, see separate manual A6 PAK, see separate manual 2 m
15	1	0417587880	Control system for motorised slides	
17	2	0417310887	Motor cable	
29	1	0456560909	Automatic welding machine without PEH	
1	1	<b>0456565911</b> 0443741880	<b>Automatic welding machine with PEH and A6 GMD</b> Control box	<b>A6 SFE1, HD</b> PEH, see separate manual A6 GMD, see separate manual 2 m
16	1	0417142880	Joint-tracking unit	
17	2	0417310887	Motor cable	
30	1	0456560910	Automatic welding machine without PEH	

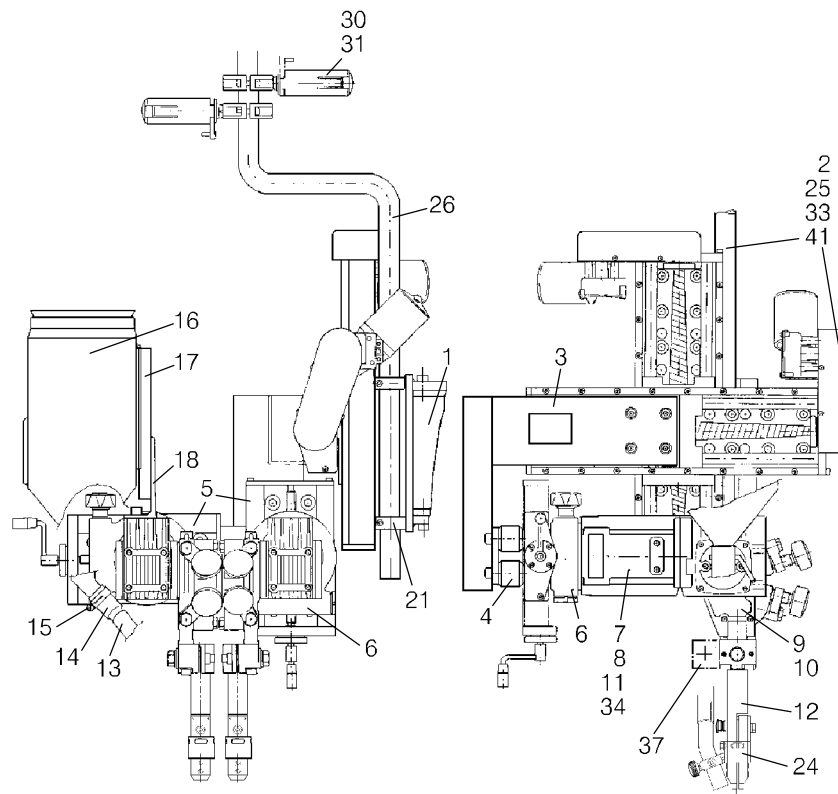
Item no.	Qty	Ordering no.	Denomination	Notes
		<b>0456565912</b>	<b>Automatic welding machine with PEH and A6 GMD</b>	<b>A6 SFE1, HD</b>
1	1	0443741880	Control box	PEH, see separate manual
16	1	0417142880	Joint-tracking unit	A6 GMD, see separate manual
17	2	0417310887	Motor cable	2 m
31	1	0456560911	Automatic welding machine without PEH	
		<b>0456565913</b>	<b>Automatic welding machine with PEH and A6 GMD</b>	<b>A6 SFE1, HD</b>
1	1	0443741880	Control box	PEH, see separate manual
16	1	0417142880	Joint-tracking unit	A6 GMD, see separate manual
17	2	0417310887	Motor cable	2 m
32	1	0456560912	Automatic welding machine without PEH	



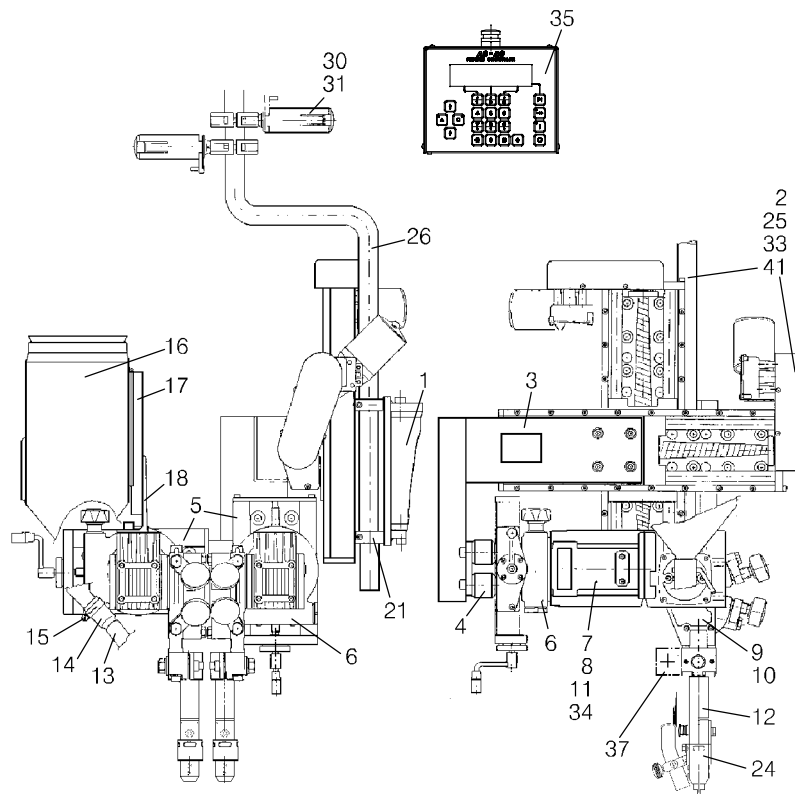
Item no.	Qty	Ordering no.	Denomination	Notes
		<b>0457720883</b>	<b>Automatic welding machine without PEH</b>	<b>A6 SFE2</b>
1	1	0334549880	Swivel bracket	
3	1	0334557880	Mounting bracket	
4	8	0278300180	Insulator	
5	2	0154465880	Slide manually operated	L = 90
6	2	0671171580	Circular slide	
7	1	0145063906	Motor with gear	A6 VEC (156:1), see separate manual
8	1	0145063896	Motor with gear	A6 VEC (156:1), see separate manual
9	1	0147639880	Wire straightener (right mounted)	
10	1	0147639880	Wire straightener (right mounted)	
11	2	0218810183	Insulated hand wheel	
12	2	0334290880	Contact Equipment	D35
13		0333645880	Flux hose	L = 1,000
34	2	0456490882	Motor cable	3 m
37	2	0456504883	Cable (arc voltage)	3 m
80	1	0457713001	Bar	



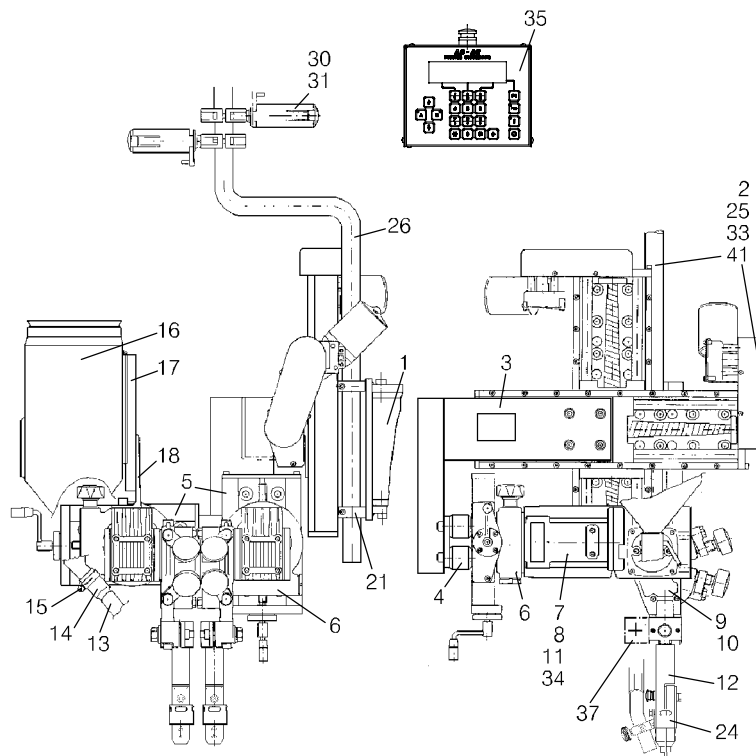
Item no.	Qty	Ordering no.	Denomination	Notes
		<b>0457720884</b>	<b>Automatic welding machine without PEH</b>	<b>A6 SFE2</b>
1	1	0334549880	Swivel bracket	
3	1	0334557880	Mounting bracket	
4	8	0278300180	Insulator	
5	2	0154465880	Slide manually operated	L = 90
6	2	0671171580	Circular slide	
7	1	0145063906	Motor with gear	A6 VEC (156:1), see separate manual
8	1	0145063896	Motor with gear	A6 VEC (156:1), see separate manual
9	1	0147639880	Wire straightener (right mounted)	
10	1	0147639880	Wire straightener (right mounted)	
11	2	0218810183	Insulated hand wheel	
12	2	0334290880	Contact Equipment	D35
13		0333645880	Flux hose	L = 1,000
14	1	0153491001	Branching Tube	
16	1	0147649881	Flux hopper	10 l
17	1	0148487880	Holder	
18	1	0334294001	Bracket	
26	1	0334694001	Pipe bend	
30	2	0146967880	Brake hub	
34	2	0456490882	Motor cable	3 m
37	2	0456504883	Cable (arc voltage)	3 m
80	1	0457713001	Bar	



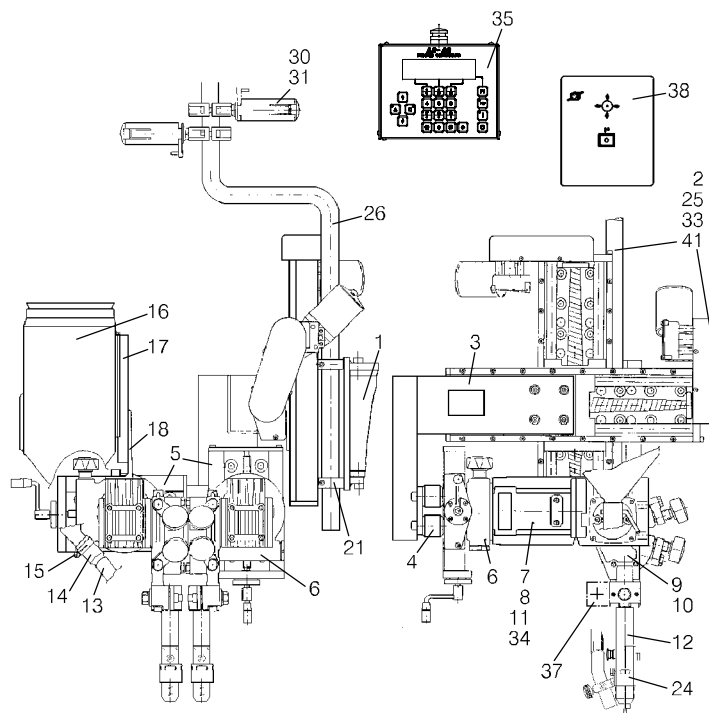
Item no.	Qty	Ordering no.	Denomination	Notes
		<b>0457720885</b>	<b>Automatic welding machine with PEH</b>	<b>A6 SFE2</b>
1	1	0334549880	Swivel bracket	
3	1	0334557880	Mounting bracket	
4	8	0278300180	Insulator	
5	2	0154465880	Slide manually operated	L = 90
6	2	0671171580	Circular slide	
7	1	0145063906	Motor with gear	A6 VEC (156:1), see separate manual
8	1	0145063896	Motor with gear	A6 VEC (156:1), see separate manual
9	1	0147639880	Wire straightener (right mounted)	
10	1	0147639880	Wire straightener (right mounted)	
11	2	0218810183	Insulated hand wheel	
12	2	0334290880	Contact Equipment	D35
13		0333645880	Flux hose	L = 1,000
14	1	0153491001	Branching Tube	
16	1	0147649881	Flux hopper	10 l
17	1	0148487880	Holder	
18	1	0334294001	Bracket	
26	1	0334694001	Pipe bend	
30	2	0146967880	Brake hub	
34	2	0456490882	Motor cable	3 m
35	2	0443741880	Control box	PEH, see separate manual
37	2	0456504883	Cable (arc voltage)	3 m
80	1	0457713001	Bar	



Item no.	Qty	Ordering no.	Denomination	Notes
		<b>0457720887</b>	<b>Automatic welding machine with PEH</b>	<b>A6 SFE2</b>
1	1	0334549880	Swivel bracket	
3	1	0334557880	Mounting bracket	
4	8	0278300180	Insulator	
5	2	0154465880	Slide manually operated	L = 90
6	2	0671171580	Circular slide	
7	1	0145063906	Motor with gear	A6 VEC (156:1), see separate manual
8	1	0145063896	Motor with gear	A6 VEC (156:1), see separate manual
9	1	0147639880	Wire straightener (right mounted)	
10	1	0147639880	Wire straightener (right mounted)	
11	2	0218810183	Insulated hand wheel	
12	2	0334290880	Contact Equipment	D35
13		0333645880	Flux hose	L = 1,000
14	1	0153491001	Branching Tube	
16	1	0147649881	Flux hopper	10 l
17	1	0148487880	Holder	
18	1	0334294001	Bracket	
26	1	0334694001	Pipe bend	
30	2	0146967880	Brake hub	
34	2	0456490882	Motor cable	3 m
35	2	0443741880	Control box	PEH, see separate manual
37	2	0456504883	Cable (arc voltage)	3 m
41	2	0154465881	Slide manually operated	L = 210
80	1	0457713001	Bar	

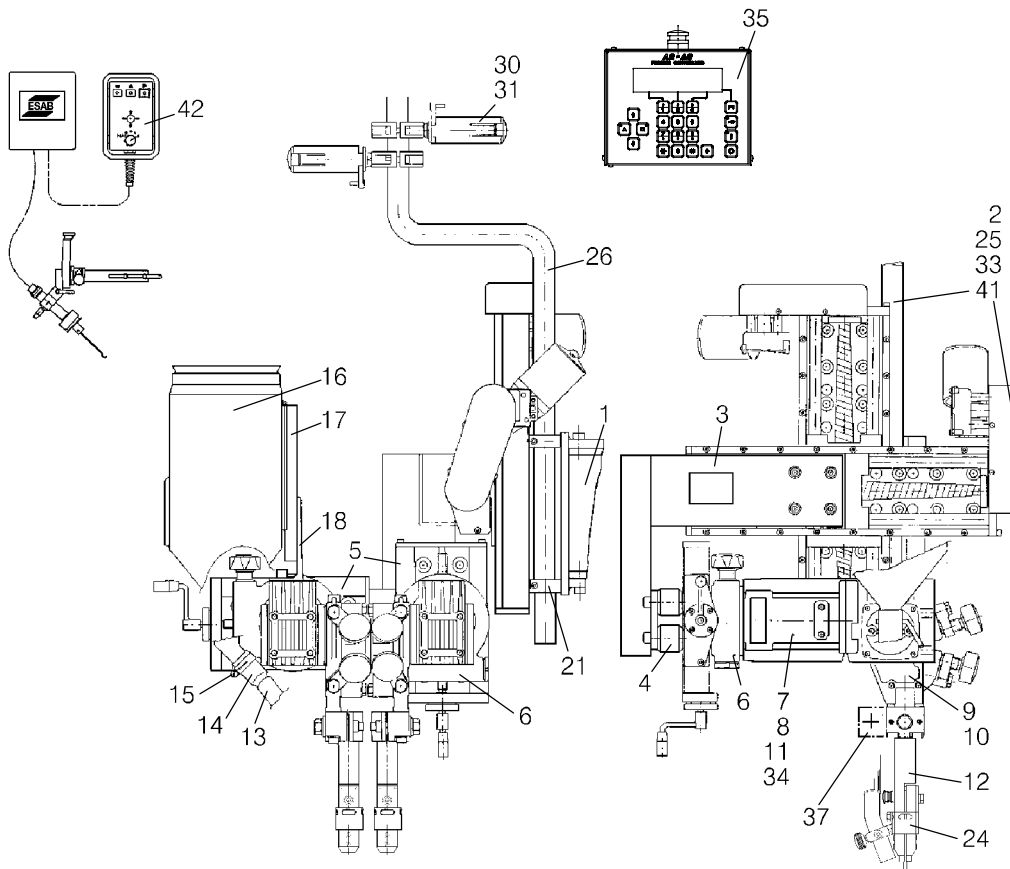


Item no.	Qty	Ordering no.	Denomination	Notes
		<b>0457720880</b>	<b>Automatic welding machine with PEH and A6 PAK</b>	<b>A6 SFE2</b>
1	1	0334549880	Swivel Bracket	
2	2	0334333884	Motorised Slide	A6 Slide (L=300), see separate manual
3	1	0334557880	Mounting bracket	
4	8	0278300180	Insulator	200 V
5	2	0154465880	Slide manually operated	L = 90
6	2	0671171580	Circular slide	
7	1	0145063906	Motor with gear	A6 VEC (156:1), see separate manual
8	1	0145063896	Motor with gear	A6 VEC (156:1), see separate manual
9	1	0147639880	Wire straightener (right mounted)	
10	1	0147639880	Wire straightener (right mounted)	
11	2	0218810183	Insulated hand wheel	
12	2	0334290880	Contact Equipment	D35
13		0333645880	Flux hose	L = 1,000
14	1	0153491001	Branching Tube	
16	1	0147649881	Flux hopper	10 l
17	1	0148487880	Holder	
18	1	0334294001	Bracket	
26	1	0334694001	Pipe bend	
30	2	0146967880	Brake hub	
33	2	0417310887	Motor cable	2 m
34	2	0456490882	Motor cable	3 m
35	2	0443741880	Control box	PEH, see separate manual
37	2	0456504883	Cable (arc voltage)	3 m
38	1	0417587880	Control system for motorised slides	A6 PAK, see separate manual
80	1	0457713001	Bar	

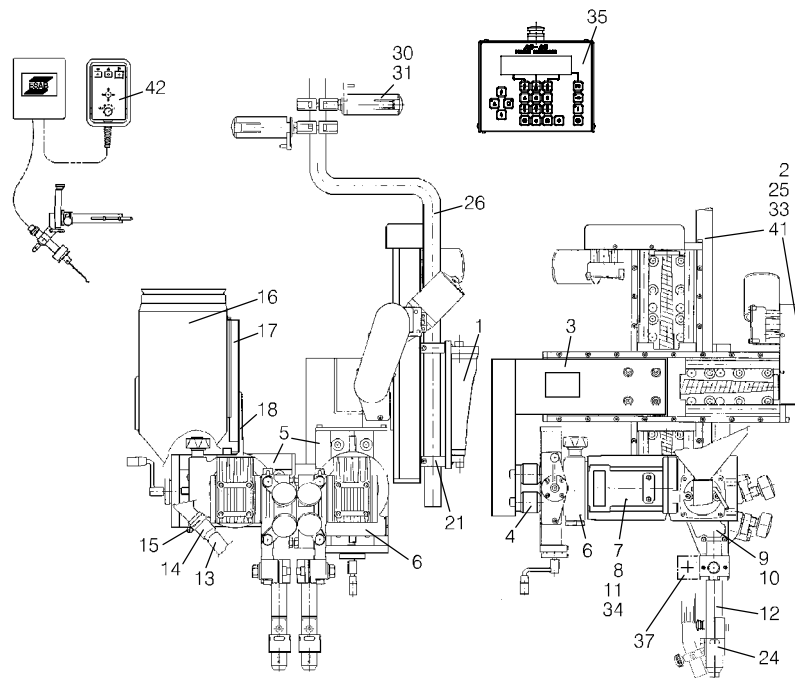




Item no.	Qty	Ordering no.	Denomination	Notes
		<b>0457720891</b>	<b>Automatic welding machine with PEH, A6 GMD</b>	<b>A6 SFE2</b>
1	1	0334549880	Swivel bracket	
2	2	0334333884	Motorised Slide	A6 Slide (L=300), see separate manual
3	1	0334557880	Mounting bracket	
4	8	0278300180	Insulator	200 V
5	2	0154465880	Slide manually operated	L = 90
6	2	0671171580	Circular slide	
7	1	0145063906	Motor with gear	A6 VEC (156:1), see separate manual
8	1	0145063896	Motor with gear	A6 VEC (156:1), see separate manual
9	1	0147639880	Wire straightener (right mounted)	
10	1	0147639880	Wire straightener (right mounted)	
11	2	0218810183	Insulated hand wheel	
12	2	0334290880	Contact Equipment	D35
33	2	0417310887	Motor cable	2 m
34	2	0456490882	Motor cable	3 m
35	2	0443741880	Control box PEH	
37	2	0456504883	Cable (arc voltage)	3 m
42	1	0417142880	Joint tracking equipment	A6 GMD, see separate manual
80	1	0457713001	Bar	

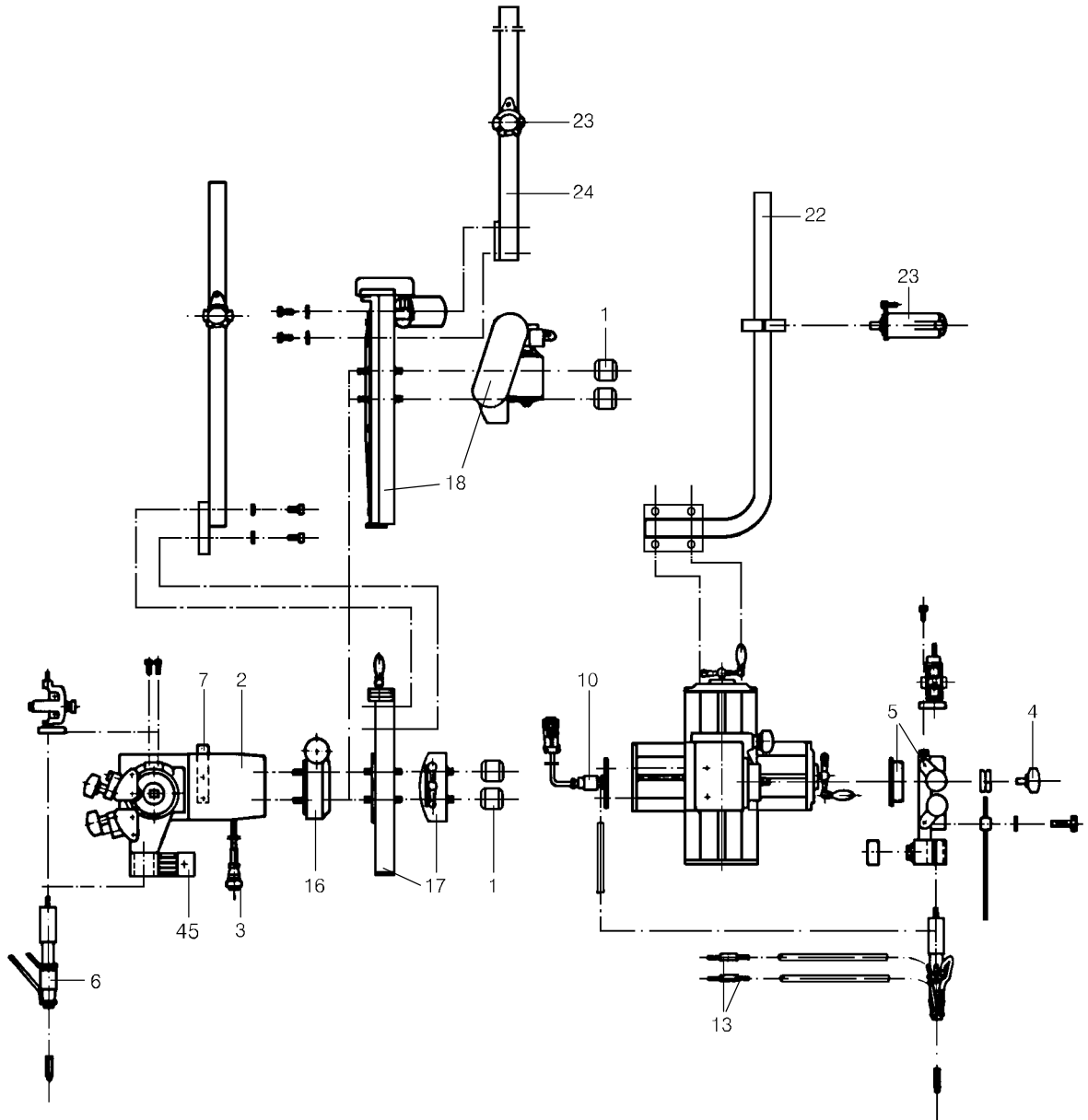


Item no.	Qty	Ordering no.	Denomination	Notes
		<b>0457720893</b>	<b>Automatic welding machine with PEH, A6 GMD</b>	<b>A6 SFE2</b>
1	1	0334549880	Swivel bracket	
2	2	0334333884	Motorised Slide	A6 Slide (L=300), see separate manual
3	1	0334557880	Mounting bracket	
4	8	0278300180	Insulator	200 V
5	2	0154465880	Slide manually operated	L = 90
6	2	0671171580	Circular slide	
7	1	0145063906	Motor with gear	A6 VEC (156:1), see separate manual
8	1	0145063896	Motor with gear	A6 VEC (156:1), see separate manual
9	1	0147639880	Wire straightener (right mounted)	
10	1	0147639880	Wire straightener (right mounted)	
11	2	0218810183	Insulated hand wheel	
12	2	0334290880	Contact Equipment	D35
13		0333645880	Flux hose	L = 1,000
14	1	0153491001	Branching Tube	
16	1	0147649881	Flux hopper	10 l
17	1	0148487880	Holder	
18	1	0334294001	Bracket	
26	1	0334694001	Pipe bend	
30	2	0146967880	Brake hub	
33	2	0417310887	Motor cable	2 m
34	2	0456490882	Motor cable	3 m
35	2	0443741880	Control box PEH	
37	2	0456504883	Cable (arc voltage)	3 m
42	1	0417142880	Joint tracking equipment	A6 GMD, see separate manual
80	1	0457713001	Bar	



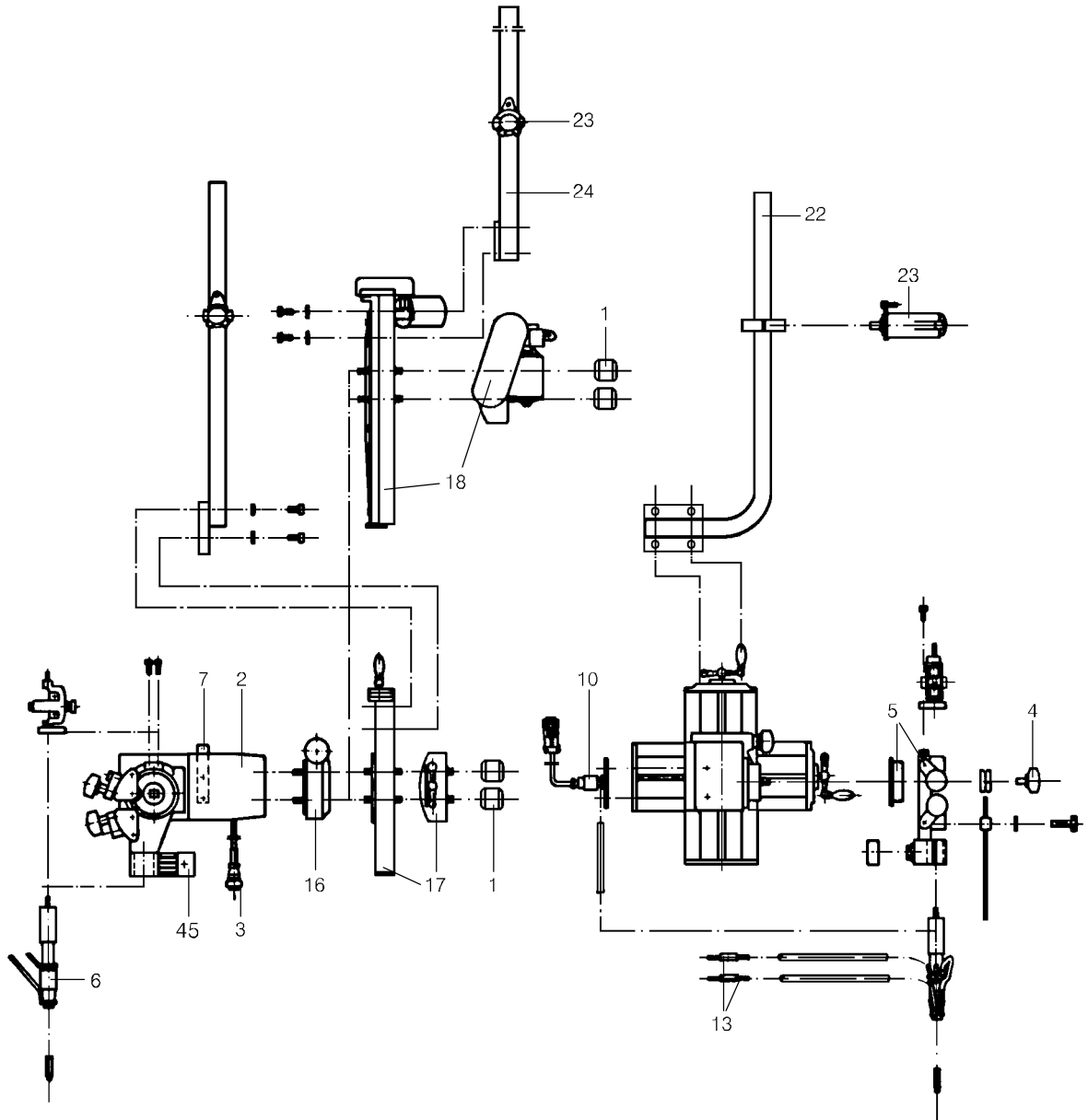
Item no.	Qty	Ordering no.	Denomination	Notes
		<b>0456563880</b>	<b>Automatic welding machine without PEH</b>	<b>A6 SGE1</b>
2	1	0145063909	Motor with gear	A6 VEC (76:1), see separate manual
3	1	0456490882	Cable	L= 3 m
4	1	0218810183	Handwheel	
5	1	0147639880	Wire straightener (right)	
6	1	0030465385	Connector	D35
7	1	0148493001	Cable holder	
10	1	0456494882	Solenoid valve with cable	
13	2	0147336880	Hose connection	
45	1	0456504883	Cable (arc voltage)	3.0 m
80	1	0457713001	Bar	
		<b>0456563881</b>	<b>Automatic welding machine without PEH</b>	<b>A6 SGE1</b>
2	1	0145063909	Motor with gear	A6 VEC (76:1), see separate manual
3	1	0456490882	Cable	L= 3 m
4	1	0218810183	Handwheel	
5	1	0147639880	Wire straightener (right)	
6	1	0030465385	Connector	D35
7	1	0148493001	Cable holder	
10	1	0456494882	Solenoid valve with cable	
13	2	0147336880	Hose connection	
22	1	0147328880	Reel holder (bent)	
23	1	0146967880	Brake hub	
45	1	0456504883	Cable (arc voltage)	3.0 m
80	1	0457713001	Bar	
		<b>0456563882</b>	<b>Automatic welding machine without PEH</b>	<b>A6 SGE1</b>
2	1	0145063909	Motor with gear	A6 VEC (76:1), see separate manual
3	1	0456490882	Cable	L= 3 m
4	1	0218810183	Handwheel	
5	1	0147639880	Wire straightener (right)	
6	1	0030465385	Connector	D35
7	1	0148493001	Cable holder	
10	1	0456494882	Solenoid valve with cable	
13	2	0147336880	Hose connection	
23	1	0146967880	Brake hub	
24	1	0334318880	Reel holder, straight	
45	1	0456504883	Cable (arc voltage)	3.0 m
80	1	0457713001	Bar	
		<b>0456563883</b>	<b>Automatic welding machine without PEH</b>	<b>A6 SGE1</b>
1	4	0278300180	Insulator	2000 V
2	1	0145063909	Motor with gear	A6 VEC (76:1), see separate manual
3	1	0456490882	Cable	L= 3 m
4	1	0218810183	Handwheel	
5	1	0147639880	Wire straightener (right)	
6	1	0030465385	Connector	D35

Item no.	Qty	Ordering no.	Denomination	Notes
7	1	0148493001	Cable holder	
10	1	0456494882	Solenoid valve with cable	
13	2	0147336880	Hose connection	
16	1	0671171580	Angular slide	
17	2	0154465881	Slide, manually operated	L=210
45	1	0456504883	Cable (arc voltage)	3.0 m
80	1	0457713001	Bar	

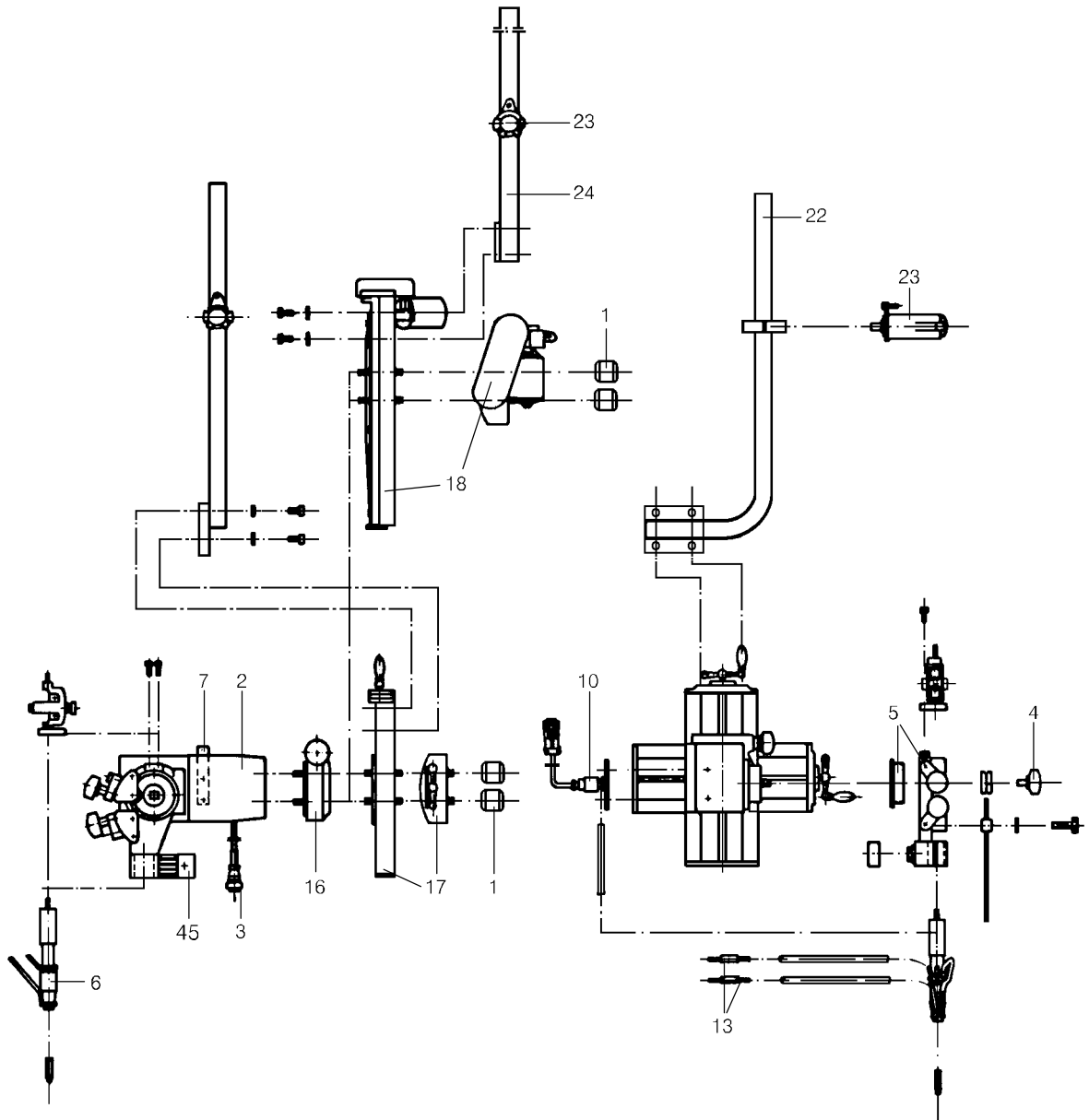


Item no.	Qty	Ordering no.	Denomination	Notes
		<b>0456563884</b>	<b>Automatic welding machine without PEH</b>	<b>A6 SGE1</b>
1	4	0278300180	Insulator	2000 V
2	1	0145063909	Motor with gear	A6 VEC (76:1), see separate manual
3	1	0456490882	Cable	L= 3 m
4	1	0218810183	Handwheel	
5	1	0147639880	Wire straightener (right)	
6	1	0030465385	Connector	D35
7	1	0148493001	Cable holder	
10	1	0456494882	Solenoid valve with cable	
13	2	0147336880	Hose connection	
16	1	0671171580	Angular slide	
17	2	0154465881	Slide, manually operated	L=210
22	1	0443510880	Reel holder (bent)	
23	1	0146967880	Brake hub	
45	1	0456504883	Cable (arc voltage)	3.0 m
80	1	0457713001	Bar	
		<b>0456563885</b>	<b>Automatic welding machine without PEH</b>	<b>A6 SGE1</b>
1	4	0278300180	Insulator	2000 V
2	1	0145063909	Motor with gear	A6 VEC (76:1), see separate manual
3	1	0456490882	Cable	L= 3 m
4	1	0218810183	Handwheel	
5	1	0147639880	Wire straightener	Right
6	1	0030465385	Connector	D35
7	1	0148493001	Cable holder	
10	1	0456494882	Solenoid valve with cable	
13	2	0147336880	Hose connection	
16	1	0671171580	Angular slide	
18	2	0334333884	Slide, with linear ball bearings	A6 Slide (L=300), see separate manual
45	1	0456504883	Cable (arc voltage)	3.0 m
80	1	0457713001	Bar	
		<b>0456563886</b>	<b>Automatic welding machine without PEH</b>	<b>A6 SGE1</b>
1	4	0278300180	Insulator	2000 V
2	1	0145063909	Motor with gear	A6 VEC (76:1), see separate manual
3	1	0456490882	Cable	L= 3 m
4	1	0218810183	Handwheel	
5	1	0147639880	Wire straightener	Right
6	1	0030465385	Connector	D35
7	1	0148493001	Cable holder	
10	1	0456494882	Solenoid valve with cable	
13	2	0147336880	Hose connection	
16	1	0671171580	Angular slide	
18	2	0334333884	Slide, with linear ball bearings	A6 Slide (L=300), see separate manual
23	1	0146967880	Brake hub	
24	1	0334318880	Reel holder, straight	

Item no.	Qty	Ordering no.	Denomination	Notes
45	1	0456504883	Cable (arc voltage)	3.0 m
80	1	0457713001	Bar	

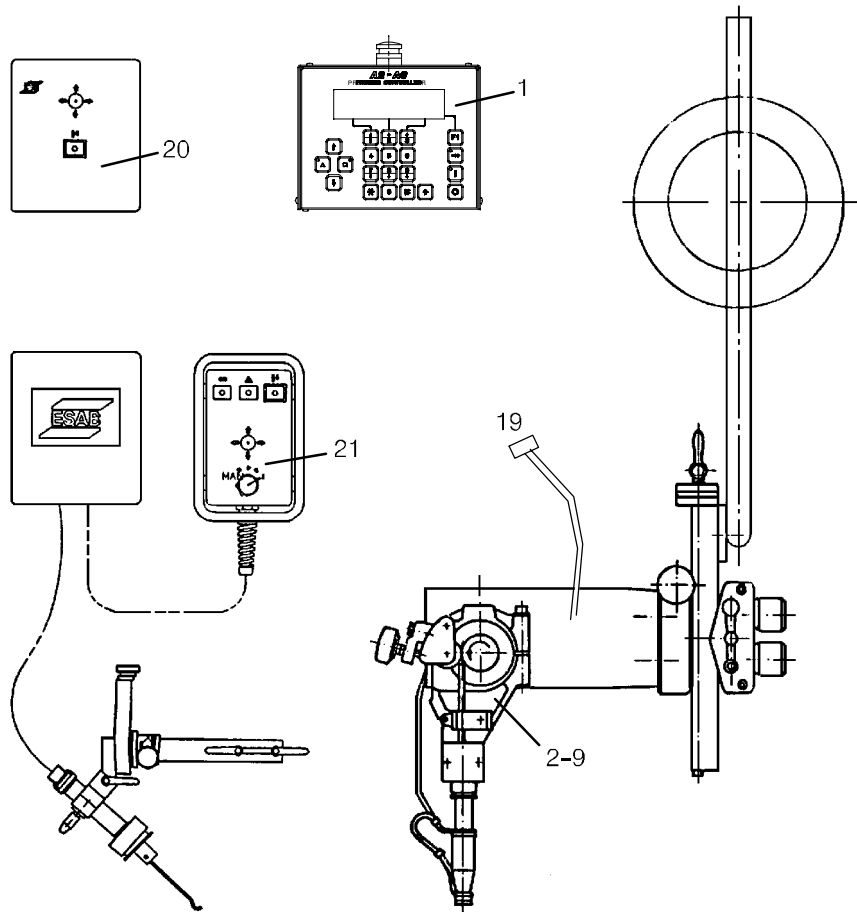


Item no.	Qty	Ordering no.	Denomination	Notes
		<b>0456563887</b>	<b>Automatic welding machine without PEH</b>	<b>A6 SGE1</b>
1	4	0278300180	Insulator	2000 V
2	1	0145063909	Motor with gear	A6 VEC (76:1), see separate manual
3	1	0456490882	Cable	L= 3 m
4	1	0218810183	Handwheel	
5	1	0147639880	Wire straightener	Right
6	1	0030465385	Connector	D35
7	1	0148493001	Cable holder	
10	1	0456494882	Solenoid valve with cable	
13	2	0147336880	Hose connection	
16	1	0671171580	Angular slide	
18	2	0334333884	Slide, with linear ball bearings	A6 Slide (L=300), see separate manual
45	1	0456504883	Cable (arc voltage)	3.0 m
80	1	0457713001	Bar	
		<b>0456563888</b>	<b>Automatic welding machine without PEH</b>	<b>A6 SGE1</b>
1	4	0278300180	Insulator	2000 V
2	1	0145063909	Motor with gear	A6 VEC (76:1), see separate manual
3	1	0456490882	Cable	L= 3 m
4	1	0218810183	Handwheel	
5	1	0147639880	Wire straightener	Right
6	1	0030465385	Connector	D35
7	1	0148493001	Cable holder	
10	1	0456494882	Solenoid valve with cable	
13	2	0147336880	Hose connection	
16	1	0671171580	Angular slide	
18	2	0334333884	Slide, with linear ball bearings	A6 Slide (L=300), see separate manual
23	1	0146967880	Brake hub	
24	1	0334318880	Reel holder, straight	
45	1	0456504883	Cable (arc voltage)	3.0 m
80	1	0457713001	Bar	

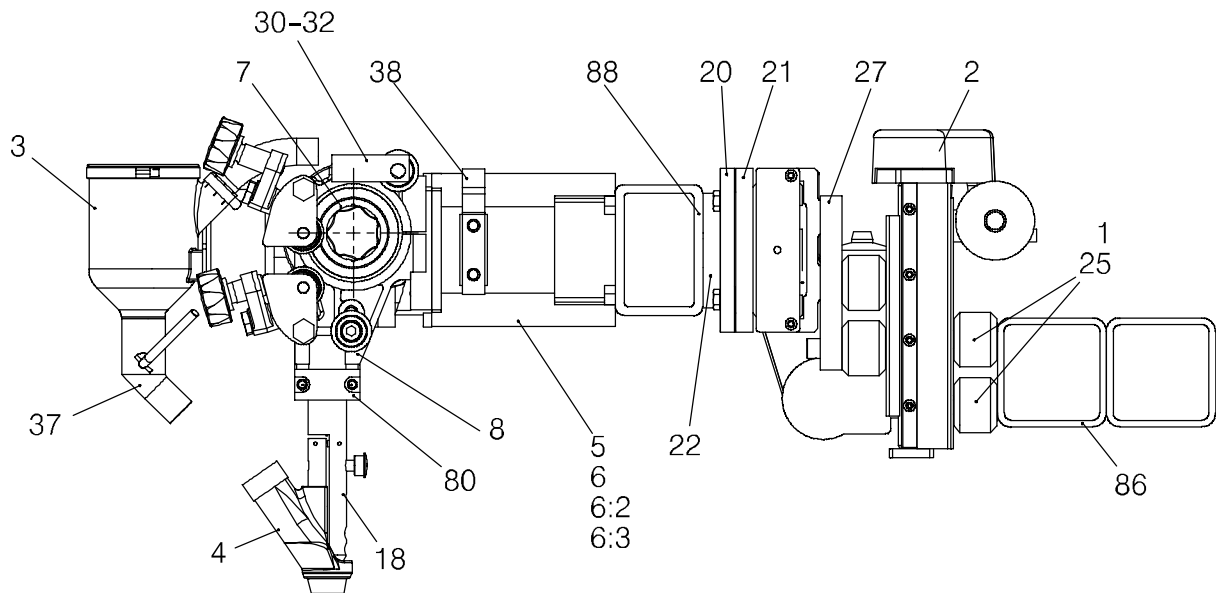




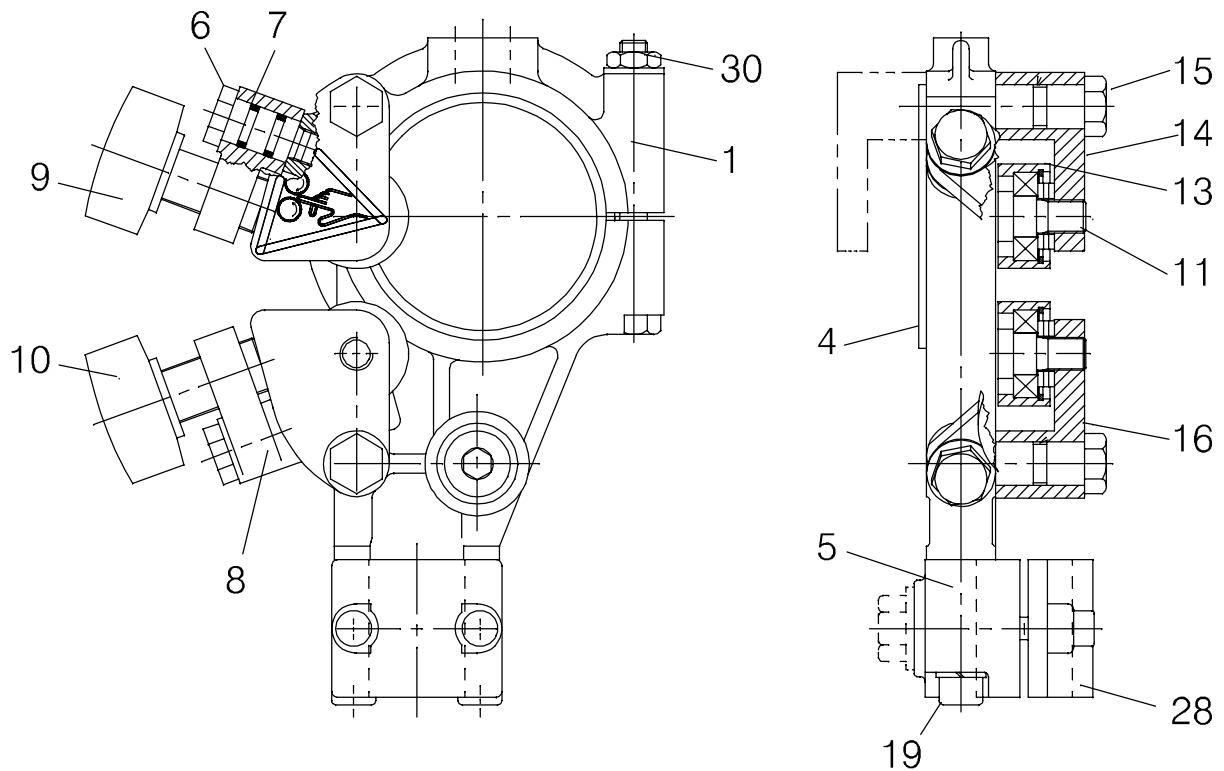
Item no.	Qty	Ordering no.	Denomination	Notes
1	1	<b>0456 564 884</b> 0443741880	<b>Automatic welding machine with PEH and A6 PAK</b> Control box	<b>A6 SGE1</b> PEH, see separate manual
6	1	0456563885	Automatic welding machine without PEH	
19	2	0417310887	Motor cable	2.0 m
20	1	0417587880	Control system for motorised slides	A6 PAK, see separate manual
1	1	<b>0456 564 885</b> 0443741880	<b>Automatic welding machine with PEH and A6 PAK</b> Control box	<b>A6 SGE1</b> PEH, see separate manual
7	1	0456563886	Automatic welding machine without PEH	
19	2	0417310887	Motor cable	2.0 m
20	1	0417587880	Control system for motorised slides	A6 PAK, see separate manual
1	1	<b>0456 564 886</b> 0443741880	<b>Automatic welding machine with PEH and A6 GMD</b> Control box	<b>A6 SGE1</b> PEH, see separate manual
8	1	0456563887	Automatic welding machine without PEH	
19	2	0417310887	Motor cable	2.0 m
21	1	0417142880	Joint-tracking equipment	A6 GMD, see separate manual
1	1	<b>0456 564 887</b> 0443741880	<b>Automatic welding machine with PEH and A6 GMD</b> Control box	<b>A6 SGE1</b> PEH, see separate manual
9	1	0456563888	Automatic welding machine without PEH	
19	2	0417310887	Motor cable	2.0 m
21	1	0417142880	Joint-tracking equipment	A6 GMD, see separate manual



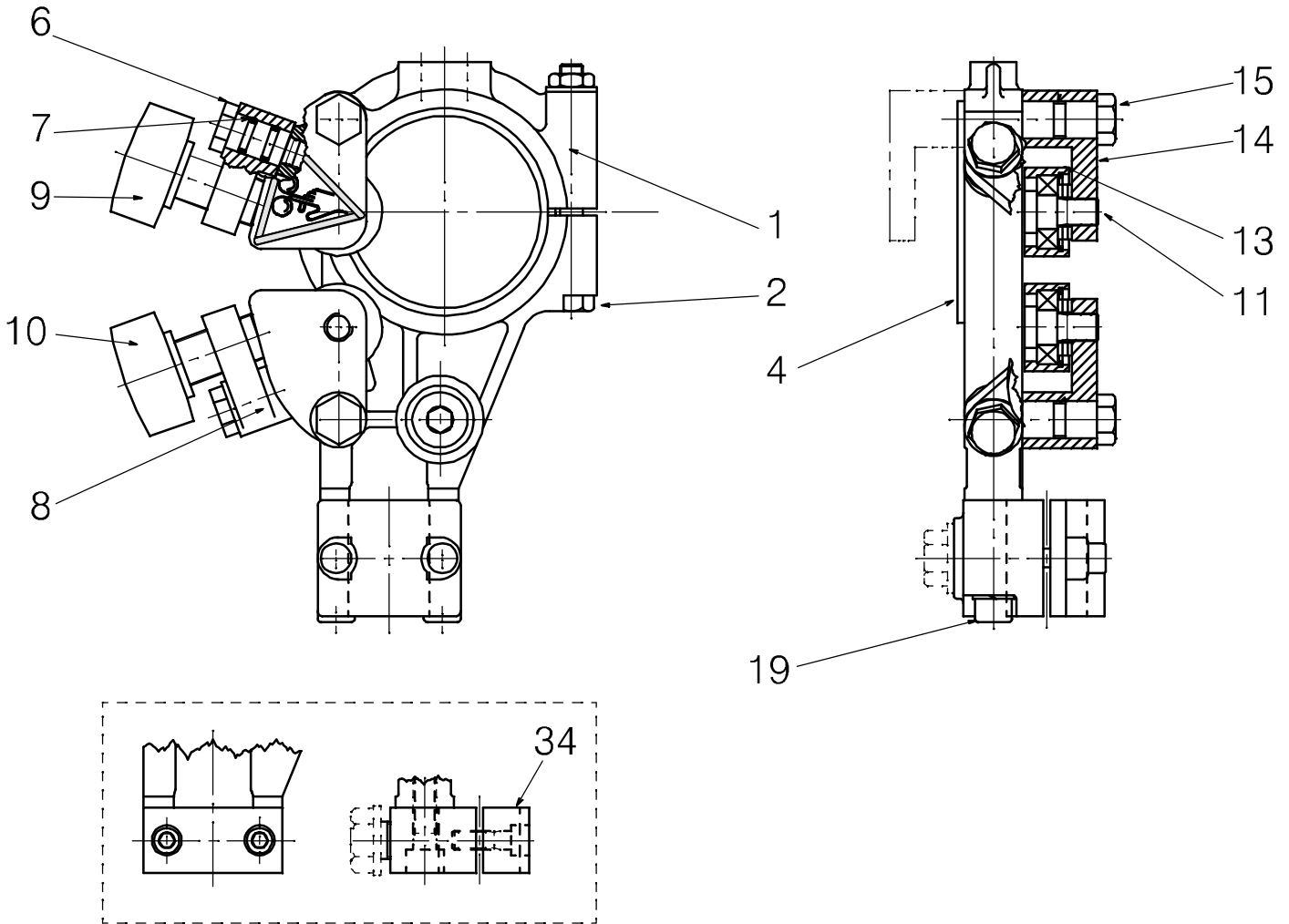
Item no.	Qty	Ordering no.	Denomination	Notes
		<b>0416967880</b>	<b>Automatic welding machine</b>	<b>A6 Compact 500 (A6-SFE1C)</b>
1	8	0278300180	Insulator	2000 V.
2	2	0334333880	Motorised slide	A6 Slide (l=60), see separate manual
3	1	0153856884	Flux hopper without flux valve	1 l
4	1	0254900880	Flux funnel	
5	1	0145063896	Motor with gear	A6 VEC (4000rpm, 156:1), see separate manual
6	1	0449253882	Cable unit	l =53 m
6:2	1	0456490883	Motor cable	5.0m
63	1	0456504884	Cable (arc-voltage)	5m
7	1	0218810183	Insulated hand wheel	
8	1	0147639889	Wire straightener (right mounted)	d35
18	1	0417959886	Contact device	hd l=180
20	1	0334170001	Clamping ring	
21	1	0334171001	Plate	
22	1	0334172001	Gear bracket	
25	4	0212204527	Stop screw	SK6SS
27	1	0411408001	Mounting plate	
30	1	0416955001	Attachment for roller	
31	1	0153148880	Roller	
32	1	0332411880	Stub shaft with washer	
37		0443383001	Flux hose	d32/25
38	1	0416957001	Wire conduit mount	
80	1	0457713001	Bar	
86	1	0806265880	Bracket	
88	1	0811053001	Bracket	



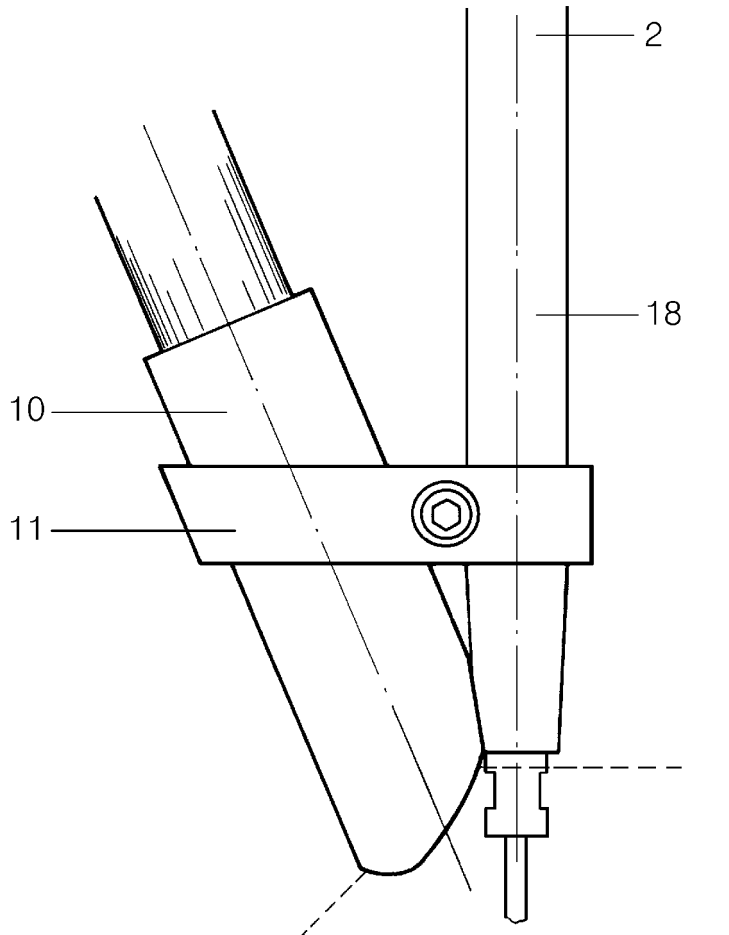
Item no.	Qty	Ordering no.	Denomination	Notes
		<b>0147639880</b>	<b>Straightener (right mounted)</b>	
1	1	0156449001	Clamp	
4	1	0215503601	Insulating sleeve	
5	1	0156530001	Clamp half	
6	2	0212900001	Spacer screw	
7	4	0215201209	O-ring	D11.3x2.4
8	2	0218400801	Pressure roller arm	
9	1	0218810181	Handwheel	
10	1	0218810182	Handwheel	
11	3	0332408001	Stub shaft	
13	3	0153148880	Roller	
14	1	0415498001	Thrust roller carrier	
15	2	0212902601	Spacer screw	
16	1	0415499001	Thrust roller carrier	
19	2	0219501013	Spring washer	D18.1/10.2
28	1	0156531001	Clamp half	
30	1	0212601110	Nut	M10



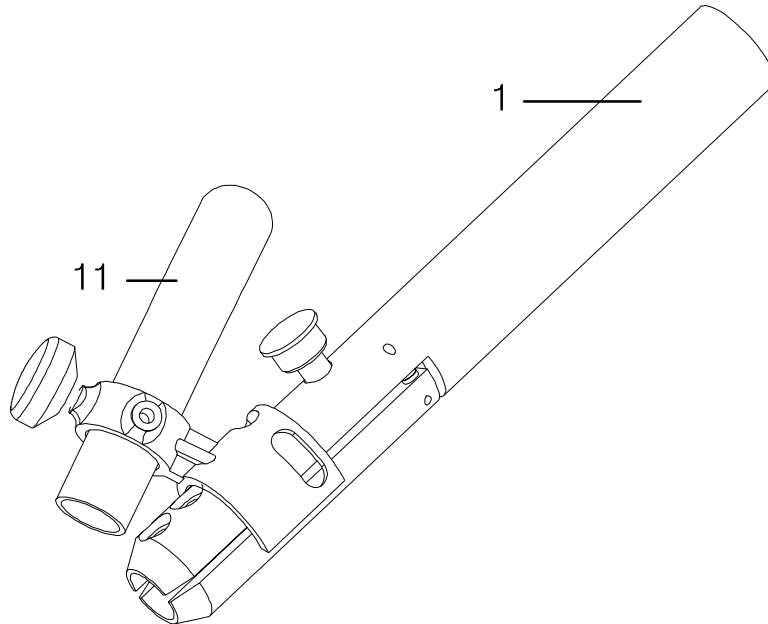
Item no.	Qty	Ordering no.	Denomination	Notes
		<b>0147639889</b>	<b>Straightener (right mounted)</b>	<b>A6 S COMPACT 500 (A6 SFE1C)</b>
1	1	0156449001	Clip	
4	1	0215503601	Insulating sleeve	
6	2	0212900001	Spacer screw	
7	4	0215201209	Oo-ring 11.3x2.4mm	11,3x2,4
8	2	0218400801	Pressure roller arm	
9	1	0218810181	Insulated hand wheel	
10	1	0218810182	Insulated hand wheel	
11	3	0332408001	Stub shaft	
13	3	0153148880	Roller	
14	1	0415498001	Thrust roller carrier	
15	2	0212902601	Spacer screw	
16	1	0415499001	Thrust roller carrier	a2/a6
19	2	0219501013	Spring washer	d18,1/10,2
34	1	0416956001	Contact clip	D 35



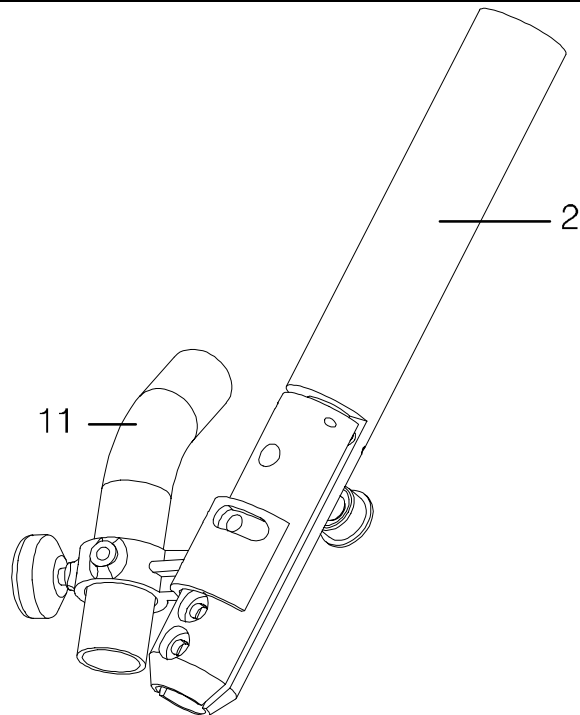
Item no.	Qty	Ordering no.	Denomination	Notes
		<b>0334289880</b>	<b>Contact Equipment, single wire</b>	<b>D20</b>
1	1	0156907001	Adaptor	D35-D20
2	1	0154381001	Contact tube	D20
10	1	0332948001	Flux tube	
18	1	0334278880	Guide tube insert	



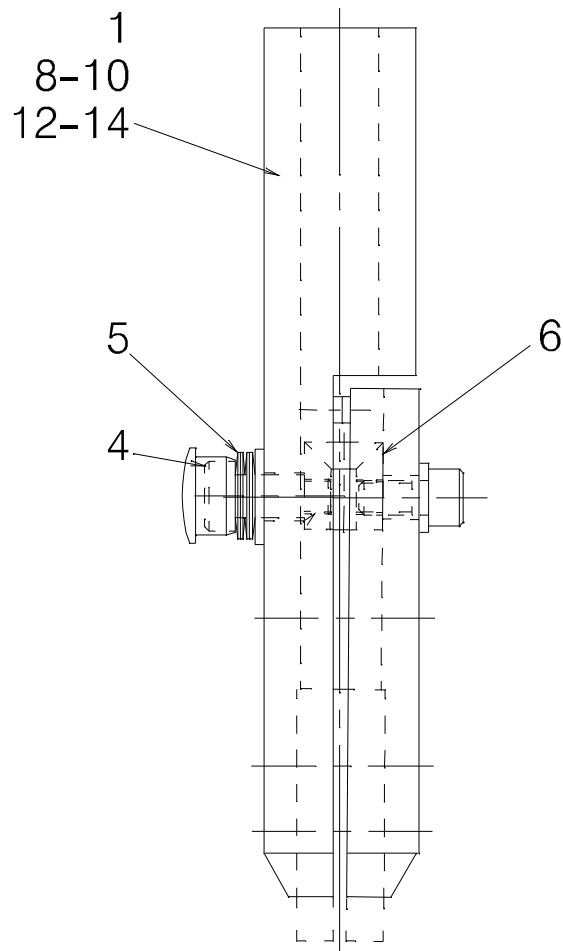
Item	Qty	Orderingno.	Denomination	Remarks
1	1	0334290-880	Contact equipment single wire	D35
		0417959880	Contact equipment	L=220
11	1	0153299880	Flux nozzle	



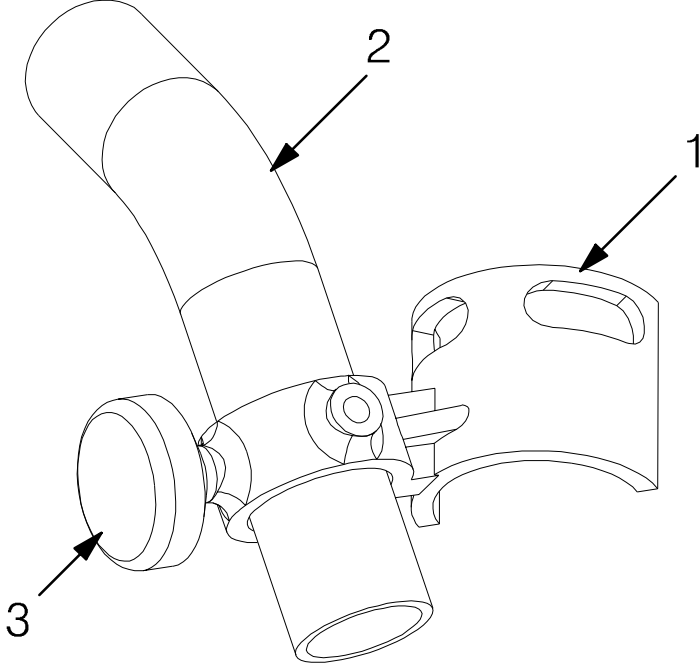
Item	Qty	Orderingno.	Denomination	Remarks
2	1	0334290882	Contact equipment single wire	D35
		0417959881	Contact equipment	L=275
11	1	0153299880	Flux nozzle	



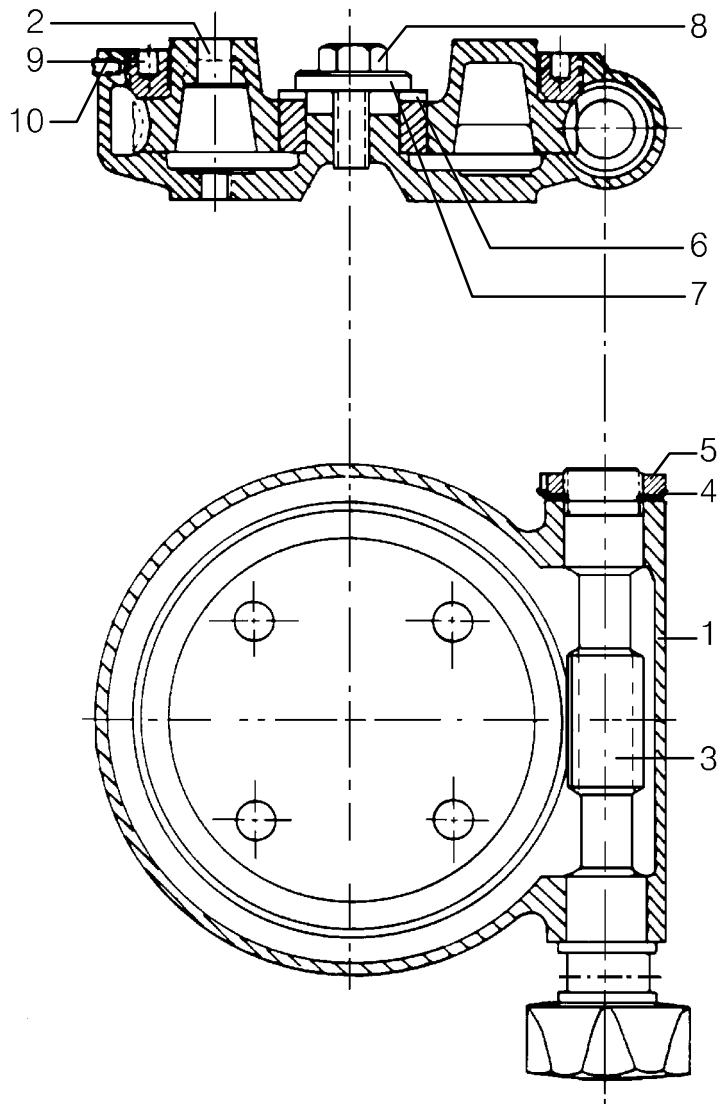
Item no.	Qty	Ordering no.	Denomination	Notes
		<b>0417959880</b>	<b>Contact equipment</b>	<b>L=220mm</b>
1	1	0443344880	Contact device	D35
4	1	0443372001	Fitting bolt	
5	4	0219504307	Beleville washer	d20/10.2
6	1	0417979001	Ring	
		<b>0417959881</b>	<b>Contact equipment</b>	<b>L=275mm</b>
4	1	0443372001	Fitting bolt	
5	4	0219504307	Beleville washer	d20/10.2
6	1	0417979001	Ring	
8	1	0443344881	Contact device	D35
		<b>0417959886</b>	<b>Contact equipment</b>	<b>L=180</b>
1	1	0443344885	Contact device	D35
4	1	0443372001	Fitting bolt	
5	4	0219504307	Beleville washer	d20/10.2
6	1	0417979001	Ring	



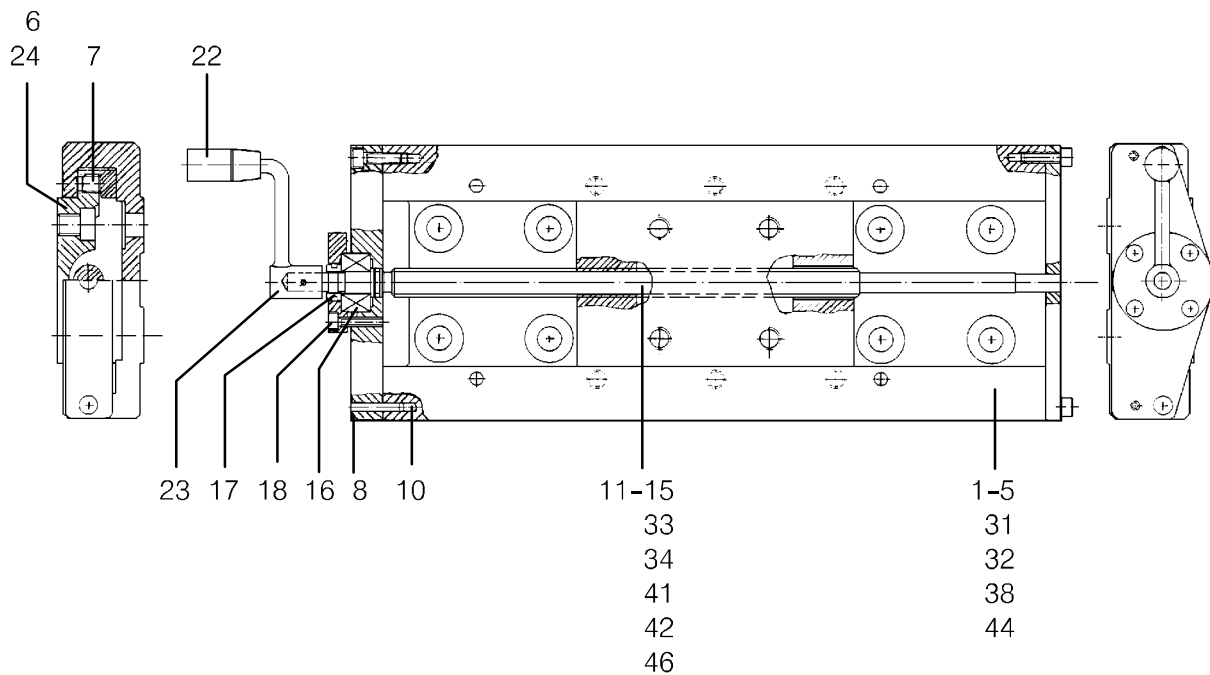
Item no.	Qty	Ordering no.	Denomination	Notes
		<b>0153299880</b>	<b>Flux nozzle</b>	
1	1	0153290002	Pipe holder	
2	1	0153296001	Pipe bend	
3	1	0153425001	Wheel	



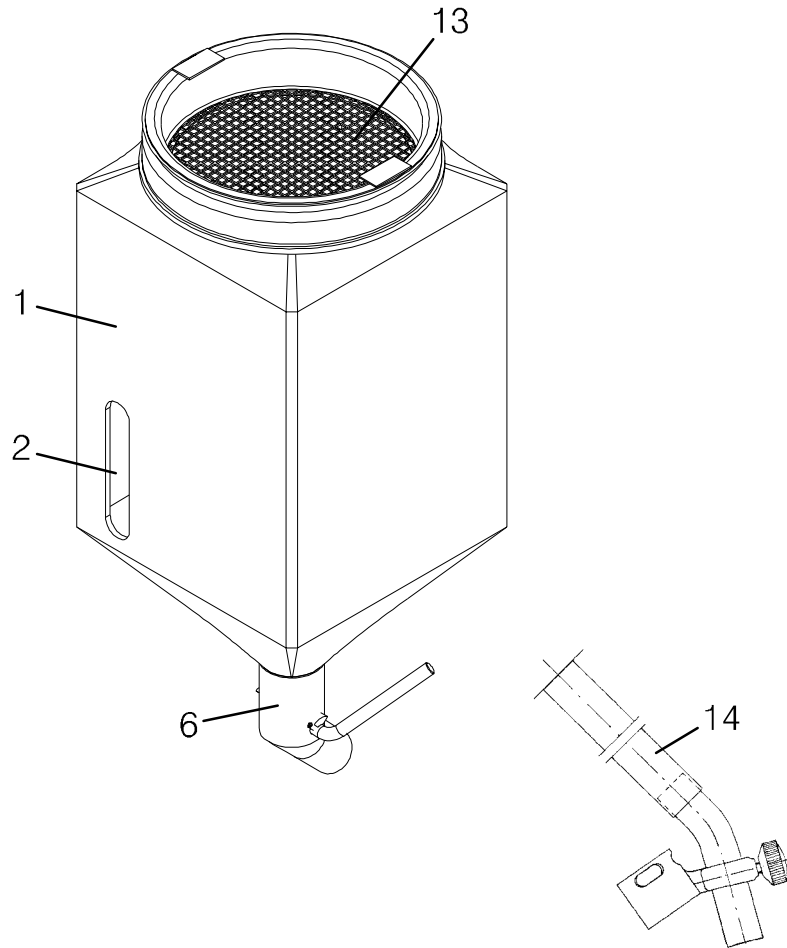
Item	Qty	Orderingno.	Denomination	Remarks
		<b>0671171580</b>	<b>Angular slide</b>	
1	1	0232601901	Housing (casing)	
2	1	0232303101	Worm wheel	
3	1	0040644080	Worm screw	
4	1	0215401206	Locking washer	D25
5	1	0215401306	Nut	
6	1	0218522301	Eccentric bushing	
7	1	0215100204	Washer	D36/13x6
8	1	0212101628	Screw	M12x30
9	1	0212911101	Screw	
10	1	0212204346	Stop screw	M5x12



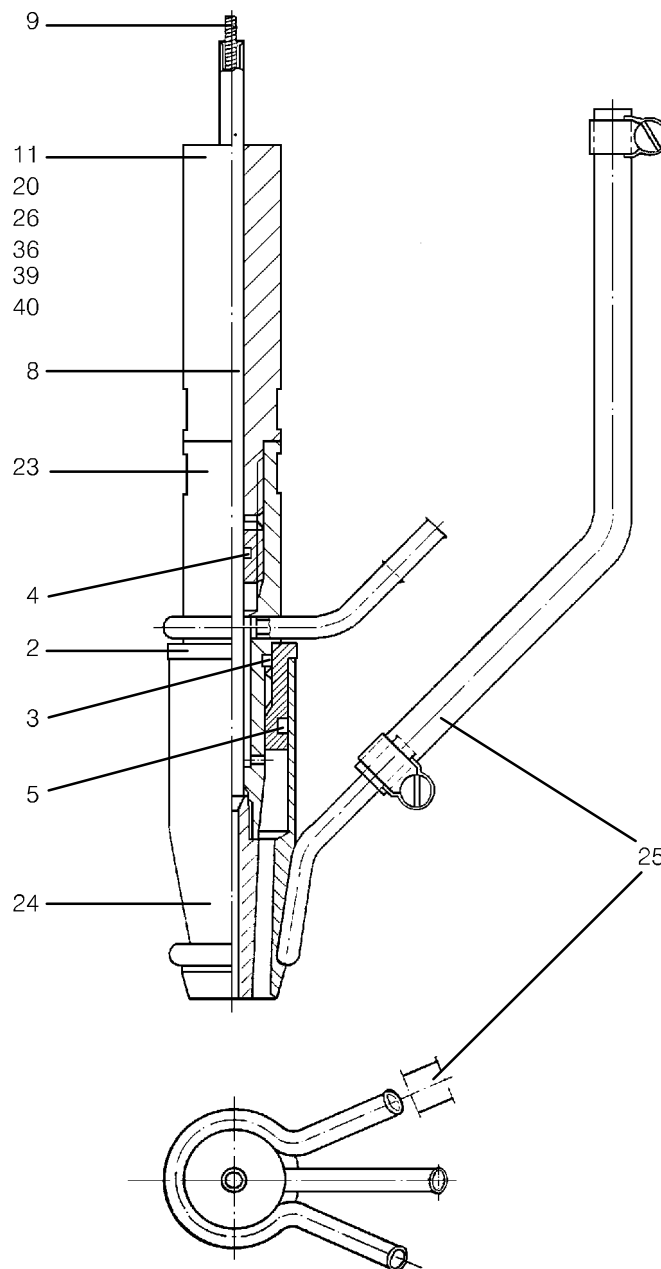
Item	Qty	Orderingno.	Denomination	Remarks
		<b>0154465880</b>	<b>Slide, manually operated</b>	
1	1	0154464001	Slide frame	
6	1	0154463880	Carriage with slide rails	
7	6	0190509485	Stop screw	M10x10
8	1	0154458001	End piece	
10	2	0211102957	Roll pin	D5x20
11	1	0154461001	Lead screw	
16	1	0190531201	Ball bearing	SKF 3201
17	1	0154456001	Locknut	
18	1	0154457001	Ball bearing cap	
22	1	0334537001	Crank	
23	1	0211102938	Roll pin	D3x20
		<b>0154 465881</b>	<b>Slide, manually operated</b>	
2	1	0154464002	Slide frame	
6	1	0154463880	Carriage with slide rails	
7	6	0190509485	Stop screw	M10x10
8	1	0154458001	End piece	
10	2	0211102957	Roll pin	D5x20
12	1	0154461002	Lead screw	
16	1	0190531201	Ball bearing	SKF 3201
17	1	0154456001	Locknut	
18	1	0154457001	Ball bearing cap	
22	1	0334537001	Crank	
23	1	0211102938	Roll pin	D3x20



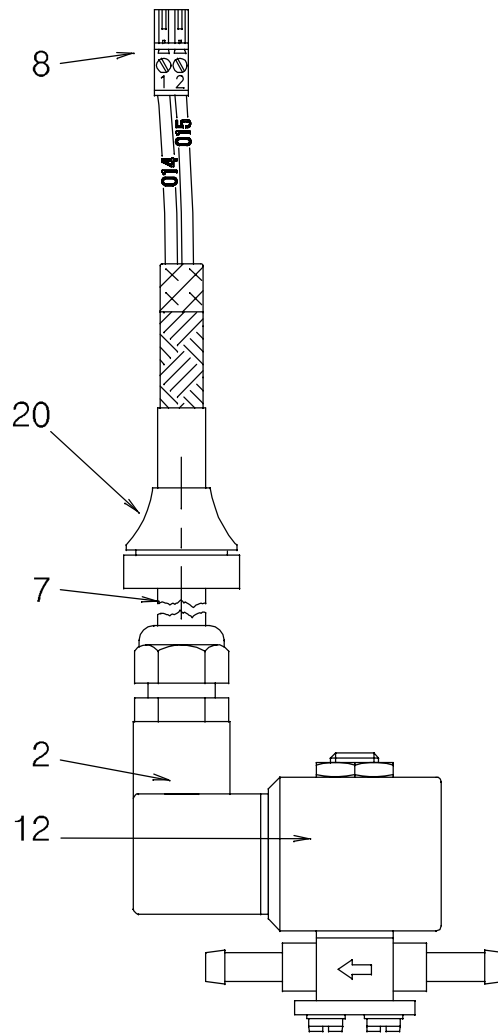
Item	Qty	Orderingno.	Denomination	Remarks
		<b>0147649881</b>	<b>Flux hopper (complete)</b>	<b>10 l</b>
1	1	0154007001	Hopper for flux	
2	1	0148837001	Window	
6	1	0153347880	Flux valve	
13	1	0020301780	Flux strainer	
14	1	0443383002	Flux hose	L=500



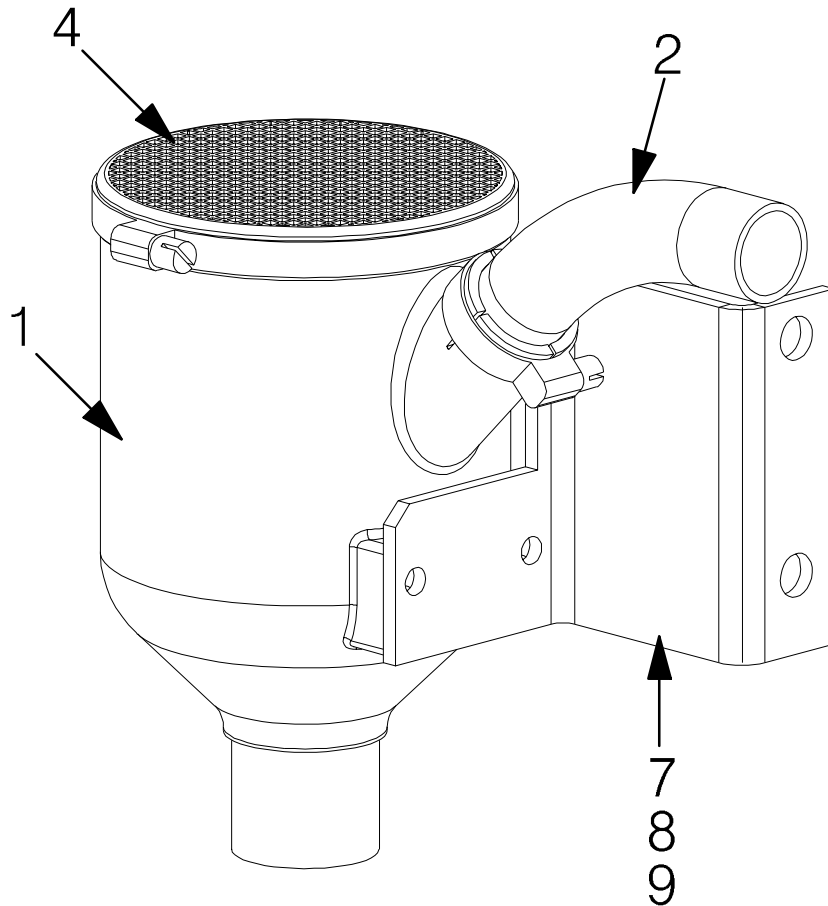
Item no.	Qty	Ordering no.	Denomination	Notes
		<b>0030465385</b>	<b>Connector</b>	
2	1	0145226001	Insulating sleeve	
3	1	0190 680313	O-ring	OR 15.3x2.4
4	1	0190680303	O-ring	OR 5.3x2.4
5	1	0190680405	O-ring	OR 22.2x3
8	1	0334278880	Insert tube	
9	1	0334279001	Spiral	
20	1	0146094001	Extension	
23	1	0145534882	Contact tube	
24	1	0145227882	Gas nozzle	
25	1	0144998882	Water hose	L = 180



Item	Qty	Orderingno.	Denomination	Notes
		<b>0456494882</b>	<b>Solenoid valve with cable</b>	
2	1	0157259001	Contact	
7	2	0193021110	Cable, screened	ÖLFLEX, 2x1.5 mm <sup>2</sup>
8	1	0456489001	PCB Connector, plug	
12	1	0193054002	Solenoid valve	42 V
20	1	0192645002	Bushing	



Item no.	Qty	Ordering no.	Denomination	Notes
9 100	1	<b>0153856884</b>	<b>Flux hopper without flux valve</b>	
		0810153001	Holder	
	1	0153856780	Flux hopper, joint details	
1 2 4	1	<b>0153856780</b>	<b>Flux hopper, joint details</b>	11
		0153853001	Flux hopper	
	1	0153854001	Pipe	
	1	0153855001	Filter	





# ESAB subsidiaries and representative offices

## Europe

### AUSTRIA

ESAB Ges.m.b.H  
Vienna-Liesing  
Tel: +43 1 888 25 11  
Fax: +43 1 888 25 11 85

### BELGIUM

S.A. ESAB N.V.  
Brussels  
Tel: +32 2 745 11 00  
Fax: +32 2 745 11 28

### THE CZECH REPUBLIC

ESAB VAMBERK s.r.o.  
Prague  
Tel: +420 2 819 40 885  
Fax: +420 2 819 40 120

### DENMARK

Aktieselskabet ESAB  
Copenhagen-Valby  
Tel: +45 36 30 01 11  
Fax: +45 36 30 40 03

### FINLAND

ESAB Oy  
Helsinki  
Tel: +358 9 547 761  
Fax: +358 9 547 77 71

### FRANCE

ESAB France S.A.  
Cergy Pontoise  
Tel: +33 1 30 75 55 00  
Fax: +33 1 30 75 55 24

### GERMANY

ESAB GmbH  
Solingen  
Tel: +49 212 298 0  
Fax: +49 212 298 218

### GREAT BRITAIN

ESAB Group (UK) Ltd  
Waltham Cross  
Tel: +44 1992 76 85 15  
Fax: +44 1992 71 58 03

### ESAB Automation Ltd

Andover  
Tel: +44 1264 33 22 33  
Fax: +44 1264 33 20 74

### HUNGARY

ESAB Kft  
Budapest  
Tel: +36 1 20 44 182  
Fax: +36 1 20 44 186

### ITALY

ESAB Saldatura S.p.A.  
Mesero (Mi)  
Tel: +39 02 97 96 81  
Fax: +39 02 97 28 91 81

### THE NETHERLANDS

ESAB Nederland B.V.  
Utrecht  
Tel: +31 30 2485 377  
Fax: +31 30 2485 260

## NORWAY

AS ESAB  
Larvik  
Tel: +47 33 12 10 00  
Fax: +47 33 11 52 03

## POLAND

ESAB Sp.zo.o.  
Katowice  
Tel: +48 32 351 11 00  
Fax: +48 32 351 11 20

## PORTUGAL

ESAB Lda  
Lisbon  
Tel: +351 8 310 960  
Fax: +351 1 859 1277

## SLOVAKIA

ESAB Slovakia s.r.o.  
Bratislava  
Tel: +421 7 44 88 24 26  
Fax: +421 7 44 88 87 41

## SPAIN

ESAB Ibérica S.A.  
Alcalá de Henares (MADRID)  
Tel: +34 91 878 3600  
Fax: +34 91 802 3461

## SWEDEN

ESAB Sverige AB  
Gothenburg  
Tel: +46 31 50 95 00  
Fax: +46 31 50 92 22

### ESAB International AB

Gothenburg  
Tel: +46 31 50 90 00  
Fax: +46 31 50 93 60

## SWITZERLAND

ESAB AG  
Dietikon  
Tel: +41 1 741 25 25  
Fax: +41 1 740 30 55

## North and South America

### ARGENTINA

CONARCO  
Buenos Aires  
Tel: +54 11 4 753 4039  
Fax: +54 11 4 753 6313

### BRAZIL

ESAB S.A.  
Contagem-MG  
Tel: +55 31 2191 4333  
Fax: +55 31 2191 4440

### CANADA

ESAB Group Canada Inc.  
Mississauga, Ontario  
Tel: +1 905 670 02 20  
Fax: +1 905 670 48 79

### MEXICO

ESAB Mexico S.A.  
Monterrey  
Tel: +52 8 350 5959  
Fax: +52 8 350 7554

### USA

ESAB Welding & Cutting Products  
Florence, SC  
Tel: +1 843 669 44 11  
Fax: +1 843 664 57 48

## Asia/Pacific

### CHINA

Shanghai ESAB A/P  
Shanghai  
Tel: +86 21 5308 9922  
Fax: +86 21 6566 6622

### INDIA

ESAB India Ltd  
Calcutta  
Tel: +91 33 478 45 17  
Fax: +91 33 468 18 80

### INDONESIA

P.T. ESABindo Pratama  
Jakarta  
Tel: +62 21 460 0188  
Fax: +62 21 461 2929

### JAPAN

ESAB Japan  
Tokyo  
Tel: +81 3 5296 7371  
Fax: +81 3 5296 8080

### MALAYSIA

ESAB (Malaysia) Snd Bhd  
Shah Alam Selangor  
Tel: +60 3 5511 3615  
Fax: +60 3 5512 3552

### SINGAPORE

ESAB Asia/Pacific Pte Ltd  
Singapore  
Tel: +65 6861 43 22  
Fax: +65 6861 31 95

### SOUTH KOREA

ESAB SeAH Corporation  
Kyungnam  
Tel: +82 55 269 8170  
Fax: +82 55 289 8864

### UNITED ARAB EMIRATES

ESAB Middle East FZE  
Dubai  
Tel: +971 4 887 21 11  
Fax: +971 4 887 22 63

## Representative offices

### BULGARIA

ESAB Representative Office  
Sofia  
Tel/Fax: +359 2 974 42 88

### EGYPT

ESAB Egypt  
Dokki-Cairo  
Tel: +20 2 390 96 69  
Fax: +20 2 393 32 13

### ROMANIA

ESAB Representative Office  
Bucharest  
Tel/Fax: +40 1 322 36 74

### RUSSIA-CIS

ESAB Representative Office  
Moscow  
Tel: +7 095 937 98 20  
Fax: +7 095 937 95 80

### ESAB Representative Office

St Petersburg  
Tel: +7 812 325 43 62  
Fax: +7 812 325 66 85

## Distributors

*For addresses and phone numbers to our distributors in other countries, please visit our home page*

[www.esab.com](http://www.esab.com)



ESAB AB  
SE-695 81 LAXÅ  
SWEDEN  
Phone +46 584 81 000

[www.esab.com](http://www.esab.com)

